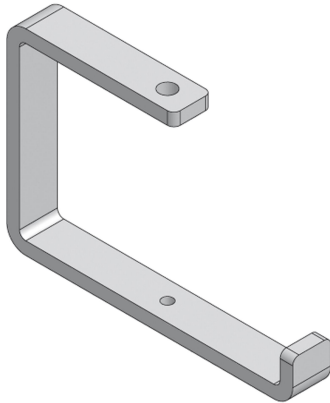


C bracket 100mm HDG

Reference CSU08173100



Activity
Product family
Brand

Cable support systems
Support system
Stago

Base

Activity	Cable support systems
Product family	Support system
Brand	Stago
GTIN	8712513009136

Commercial and Web

Short description	C bracket 100 HDG
Medium description	Stago - c bracket - 100 - steel - hot-dip galvanized
Width	100 mm
Material	Steel
Material type or surface treatment	Hot-dip galvanized
Corrosion class	C4

ETIM (EC001003-Wall- and ceiling bracket for cable support system)

Suitable for cable management system width (EF008339)	70 - 100 mm
Suitable for cable management system height (EF006391)	155 mm
Model (EF000010)	Face out bracket (C-bracket)
Suitable for wire mesh tray (EF005163)	Yes
Suitable for cable ladder (EF005165)	No

Suitable for cable tray (EF005166)	Yes
Tray mounting (EF005212)	Screwable
Load bearing capacity (EF002918)	15 N
Suitable for circuit integrity (EF007806)	No
Material (EF002169)	Steel
Material quality (EF001257)	Other
Surface protection (EF000139)	Hot-dip galvanized
Colour (EF000007)	*
RAL (EF000116)	*

Logistic

Weight pack 1	0.603 kg
Length pack 1	150 mm
Width pack 1	115 mm
Height pack 1	45 mm
Customs code	73089098
Net weight	0.6 kg
Country of origin	NL

Certification

ETIM class	EC001003
------------	----------

Status product

Product status	Commercialized
----------------	----------------

Environmental

GWP Total A1-A3	1.71252 kgCO2e
-----------------	----------------

For the latest information check <http://wibe-group.com/cable-support-systems/cable-trays/cantilevers-central-suspension-brackets/c-bracket-100mm-hdg>