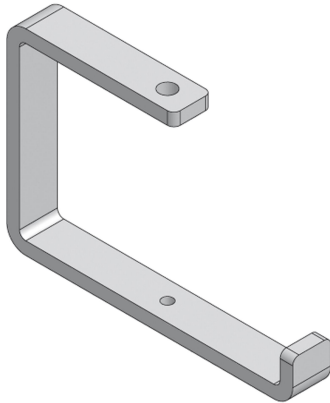


# C-bracket 200 HDG

Reference CSU08173200



Activity	Cable support systems
Product family	Support system
Brand	Stago

## Base

Activity	Cable support systems
Product family	Support system
Brand	Stago
GTIN	8712513009167

## Commercial and Web

Short description	C-bracket 200 HDG
Medium description	Stago - KG281 C-bracket - 200mm - steel hdg
Width	200 mm
Material	Steel
Material type or surface treatment	Hot-dip galvanized
Corrosion class	C4

## ETIM (EC001003-Wall- and ceiling bracket for cable support system)

Suitable for cable management system width (EF008339)	70 - 200 mm
Suitable for cable management system height (EF006391)	155 mm
Model (EF000010)	Face out bracket (C-bracket)
Suitable for wire mesh tray (EF005163)	Yes
Suitable for cable ladder (EF005165)	Yes
Suitable for cable tray (EF005166)	Yes

Tray mounting (EF005212)	Screwable
Load bearing capacity (EF002918)	15 N
Suitable for circuit integrity (EF007806)	No
Material (EF002169)	Steel
Material quality (EF001257)	Other
Surface protection (EF000139)	Hot-dip galvanized
Colour (EF000007)	*
RAL (EF000116)	*

---

## Logistic

Weight pack 1	1.136 kg
Length pack 1	225 mm
Width pack 1	155 mm
Height pack 1	30 mm
Customs code	73089098
Net weight	1.14 kg
Country of origin	VN

---

## Certification

ETIM class	EC001003
------------	----------

---

## Status product

Product status	Commercialized
----------------	----------------

---

## Environmental

GWP Total A1-A3	3.22624 kgCO2e
-----------------	----------------

---

For the latest information check <http://wibe-group.com/cable-support-systems/cable-trays/cantilevers-central-suspension-brackets/open-c-beugel-200-hdg>