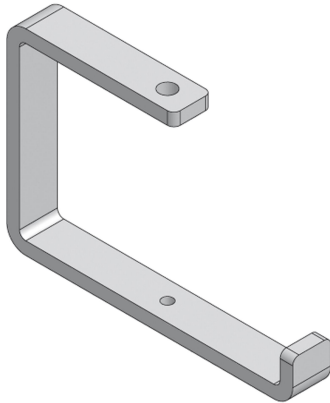


# C bracket 300mm HDG

Reference CSU08173300



Activity  
Product family  
Brand

Cable support systems  
Support system  
Stago

## Base

|                |                       |
|----------------|-----------------------|
| Activity       | Cable support systems |
| Product family | Support system        |
| Brand          | Stago                 |
| GTIN           | 8712513009181         |

## Commercial and Web

|                                    |  |
|------------------------------------|--|
| Short description                  | C bracket 300 HDG                                    |
| Medium description                 | Stago - c bracket - 300 - steel - hot-dip galvanized |
| Width                              | 300 mm   |
| Material                           | Steel  |
| Material type or surface treatment | Hot-dip galvanized                                   |
| Corrosion class                    | C4   |

## ETIM (EC001003-Wall- and ceiling bracket for cable support system)

|  |                              |
|--|------------------------------|
| Suitable for cable management system width (EF008339)  | 70 - 300 mm                  |
| Suitable for cable management system height (EF006391) | 155 mm                       |
| Model (EF000010)                                       | Face out bracket (C-bracket) |
| Suitable for wire mesh tray (EF005163)                 | Yes                          |
| Suitable for cable ladder (EF005165)                   | Yes                          |

|   |                    |
|---|--------------------|
| Suitable for cable tray (EF005166)        | Yes                |
| Tray mounting (EF005212)                  | Screwable          |
| Load bearing capacity (EF002918)          | 15 N               |
| Suitable for circuit integrity (EF007806) | No                 |
| Material (EF002169)                       | Steel              |
| Material quality (EF001257)               | Other              |
| Surface protection (EF000139)             | Hot-dip galvanized |
| Colour (EF000007)                         | *                  |
| RAL (EF000116)                            | *                  |

---

## Logistic

|                   |          |
|-------------------|----------|
| Weight pack 1     | 1.529 kg |
| Length pack 1     | 340 mm   |
| Width pack 1      | 175 mm   |
| Height pack 1     | 160 mm   |
| Customs code      | 73089098 |
| Net weight        | 1.53 kg  |
| Country of origin | VN       |

---

## Certification

|            |          |
|------------|----------|
| ETIM class | EC001003 |
|------------|----------|

---

## Status product

|                |                |
|----------------|----------------|
| Product status | Commercialized |
|----------------|----------------|

---

## Environmental

|                 |                |
|-----------------|----------------|
| GWP Total A1-A3 | 4.34236 kgCO2e |
|-----------------|----------------|

---

For the latest information check <http://wibe-group.com/cable-support-systems/cable-trays/cantilevers-central-suspension-brackets/c-bracket-300mm-hdg>