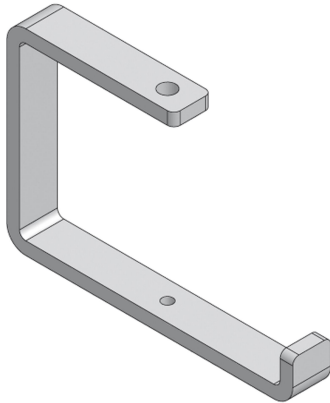


C-bracket 250 HDG

Reference CSU08174200



Activity	Cable support systems
Product family	Support system
Brand	Stago

Base

Activity	Cable support systems
Product family	Support system
Brand	Stago
GTIN	7321850817420

Commercial and Web

Short description	C-bracket 250 HDG
Medium description	Stago - KG281 C-bracket - 250mm - steel hdg
Width	250 mm
Material	Steel
Material type or surface treatment	Hot-dip galvanized
Corrosion class	C4

ETIM (EC001003-Wall- and ceiling bracket for cable support system)

Suitable for cable management system width (EF008339)	70 - 250 mm
Suitable for cable management system height (EF006391)	155 mm
Model (EF000010)	Face out bracket (C-bracket)
Suitable for wire mesh tray (EF005163)	No
Suitable for cable ladder (EF005165)	No
Suitable for cable tray (EF005166)	Yes

Tray mounting (EF005212)	Screwable
Load bearing capacity (EF002918)	15 N
Suitable for circuit integrity (EF007806)	No
Material (EF002169)	Steel
Material quality (EF001257)	Other
Surface protection (EF000139)	Hot-dip galvanized
Colour (EF000007)	*
RAL (EF000116)	*

Logistic

Weight pack 1	1.256 kg
Length pack 1	275 mm
Width pack 1	155 mm
Height pack 1	30 mm
Customs code	73089098
Net weight	1.26 kg
Country of origin	NL

Certification

ETIM class	EC001003
------------	----------

Status product

Product status	Commercialized
----------------	----------------

Environmental

GWP Total A1-A3	3.56704 kgCO2e
-----------------	----------------

For the latest information check <http://wibe-group.com/cable-support-systems/cable-trays/cantilevers-central-suspension-brackets/c-bracket-250mm-hdg>