

# Installation system

DISCOVER THE  
POWER OF  
EFFICIENCY AND  
CONVENIENCE





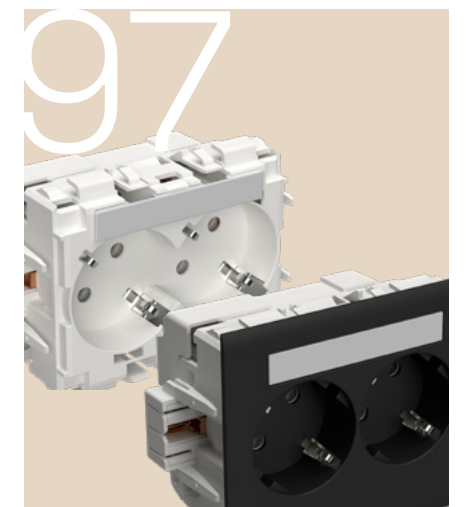
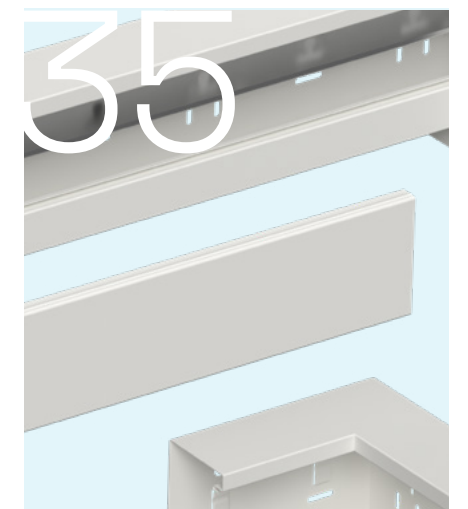
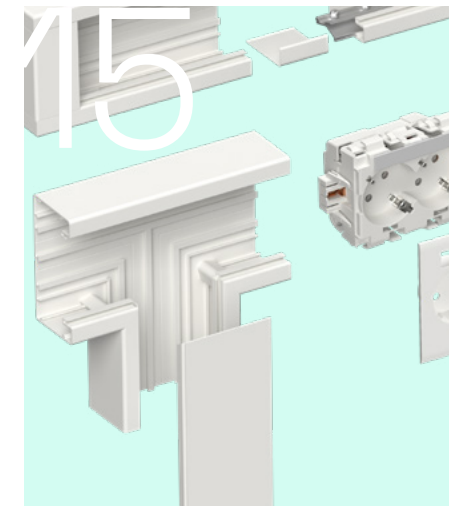
ONE SINGLE  
SOLUTION  
SOLVED IN  
ONE GO

# 13

By selecting timeless colours that are adapted to local habits, you're not only creating a beautiful space, but also making a sustainable investment that will last for years to come. Discover our timeless colours on page 11.

## Content

01	<b>Wibe Group presents</b> Stago installation system.	45	Stago WGX 120/65
03	<b>Stago</b> The story of Stago	51	Stago WGX 130/72
05	<b>Benefits &amp; features</b> of the Stago installation systems.	55	Stago WGX 165V/52
07	<b>Sustainability</b> Sustainable solutions for generations to come.	61	Stago WGX 170/65
13	<b>Colour</b>	65	Stago WGX 170A/65
15	<b>Aluminium trunking</b> The perfect blend of high-performance and sustainability.	71	Stago WGX 170/72 asymmetric
19	<b>Stago</b> WGX-A 110/55	77	Stago WGX 183/72
23	<b>Stago</b> WGX-A 120/72	81	Stago WGX 233/72
35	<b>Steel trunking</b> Strong and versatile, built to last.	97	<b>Dedicated wiring device</b> Smart design, built for ease of use.
37	<b>Stago</b> WGX 110/52	99	Stago WGX-W
41	<b>Stago</b> WGX 110/72		

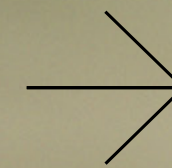
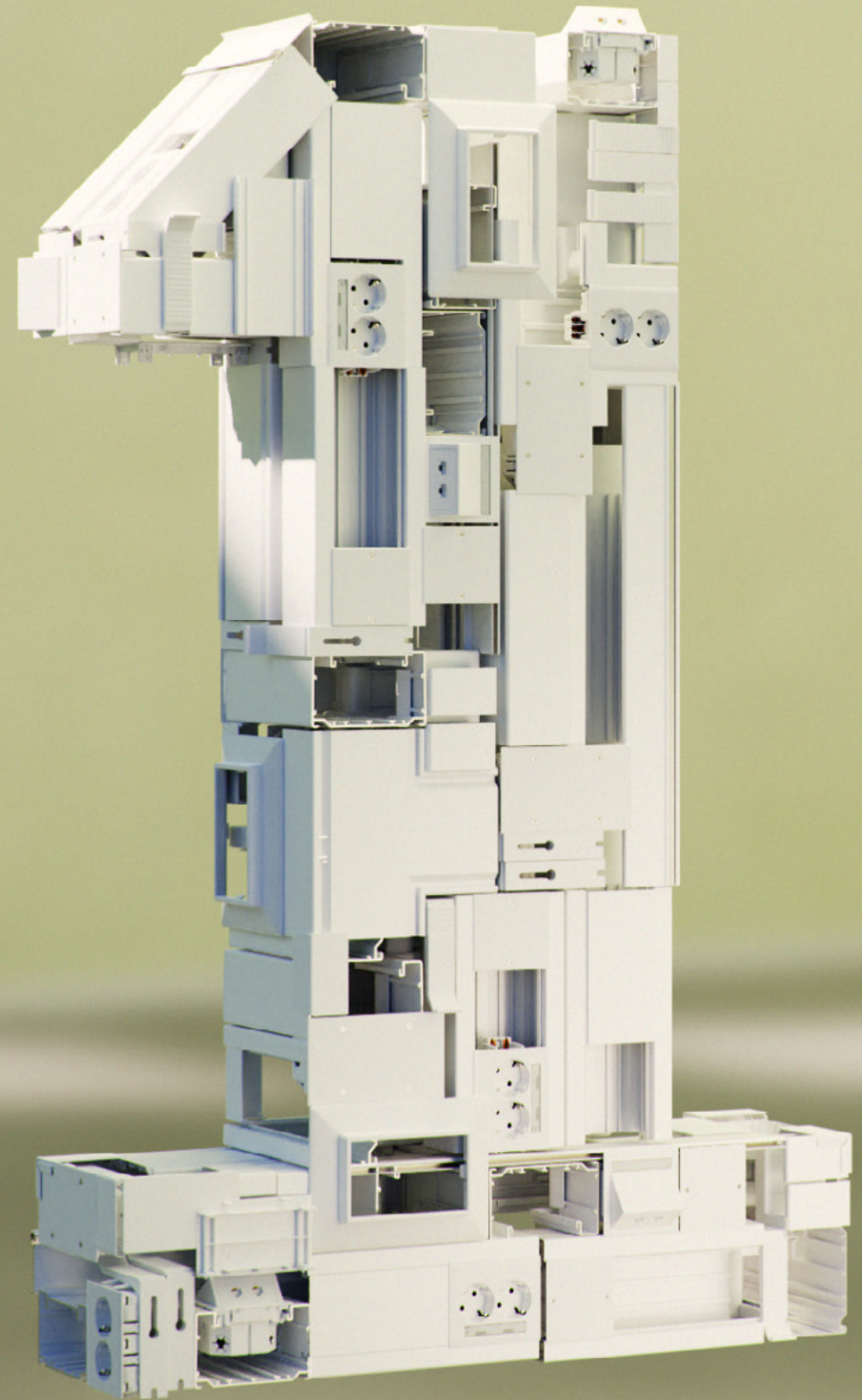


### Wibe Group presents – Stago Installation system

Welcome into our new catalogue with aluminium, steel, and dedicated wiring devices to help you create installations with ease. Browse our selection and discover the power of efficiency and convenience.



Let's say hello, to one single solution, reimagined and engineered from the ground up, where cable management can be solved in one go. One streamlined system that allows for easy planning, easy procurement and easy installation.



One solution where all parts fit together.  
One system, engineered from the ground up.  
One provider, moving the industry forward.  
One with nature, an environmentally conscious choice.





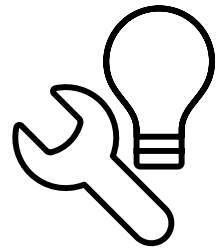
# Curiosity meets innovation: Stago's uplifting solutions

Decades of expertise and close collaboration together with customers have made us a trusted partner in the industry.

Since our founding in the Netherlands in 1945, by the entrepreneurs, Tot and Beers which saw an opportunity to redevelop worn-out electrical equipment from the war, Stago has been driven by a passion for innovation, a curiosity for our customers needs, and an commitment to quality. With our developing, manufacturing, and delivering cable management systems, we continue to grow and provide top-quality solutions for our customers. Today, Stago is one of four brands within the Wibe Group, renowned for our innovative and high-quality cable management systems. Customer collaboration is our priority - our team of experts are always here to give you friendly support at all times.



# Stago Installation Systems



## Easy to install

Our entire system has been designed with ease of use and ease of installation in mind. The improved solution adheres to industry standards, making sure that architects and engineers can easily work it into their designs. The click system makes the installation process fast and smooth.

The improved system is designed to fit together in a modern, aesthetic way. In addition, we have developed accessories which make it both forgiving and easy to work with, regardless of prior experience. Each part has been designed for a perfect fit, easy to install and to reconfigure.

We always try to make life easier for our partners. And the world a little more Onederful.

## Safe

Our wiring devices have earned the S-mark from Intertek to denote it meets the high safety standards in Europe. It can be used in any commercial building, warehouse, office, school, government building and hospital, as it provides a safe and flexible installation solution for any type of environment.

The socket outlets have been designed to make it impossible to reach the live wires with your fingers, making installation safer. Even if you remove the front cover from the socket outlet the system remains IP20. The wiring devices provide double insulated installation, meaning that no protective earth is required. The aluminium and steel trunking can be connected to functional earth if shielding of electrical fields is required/prescribed.

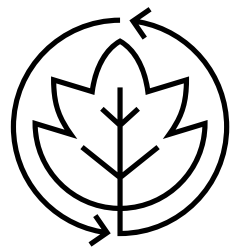
We hold ourselves to the highest standards of safety. But are always down to earth.

## Quality products

We use the highest grade and most sustainable materials available. Putting our name on a product means that it has gone through rigorous testing and quality checks. And we set the same high standards for all our product offerings. Our products are made to withstand the test of both wear and time. The redesigned – one solution, one system approach – is us making a long-term commitment.

We ensure that spare parts will be made available for maintenance and replacement for as long as needed. Something that speaks to both the quality and sustainability of the efforts we are making. The system was designed from the get-go based upon the sustainable design principle. With total flexibility to be reconfigurable and to be able to accommodate changing needs, without having to change the entire system.

The highest quality through and through. Our way of working, and our promise to you.



## Improved impact on the environment

The entire system has been based upon our sustainable design principles. Minimizing waste, making sure we use as little energy and raw materials as possible, and by prioritizing reuse and modularity. Our aluminium parts are made from recycled aluminium, results in a CO<sub>2</sub> footprint that is 65% lower than the European average produced. And to the extent, if possible, we work with local suppliers and manufacturers to avoid unnecessary transportation.

A system based on our long term commitment to sustainability.

## Reliable and experienced

Our new system draws on almost a 100-years of experience in the cable management industry. It has allowed us to create a solution that is easy to add to new and existing floor plans. We have designed a fully integrated system that will be launched over time. Having an optimized number of well-designed and smarter parts means simplifying the procurement, planning and installation process for any building project.

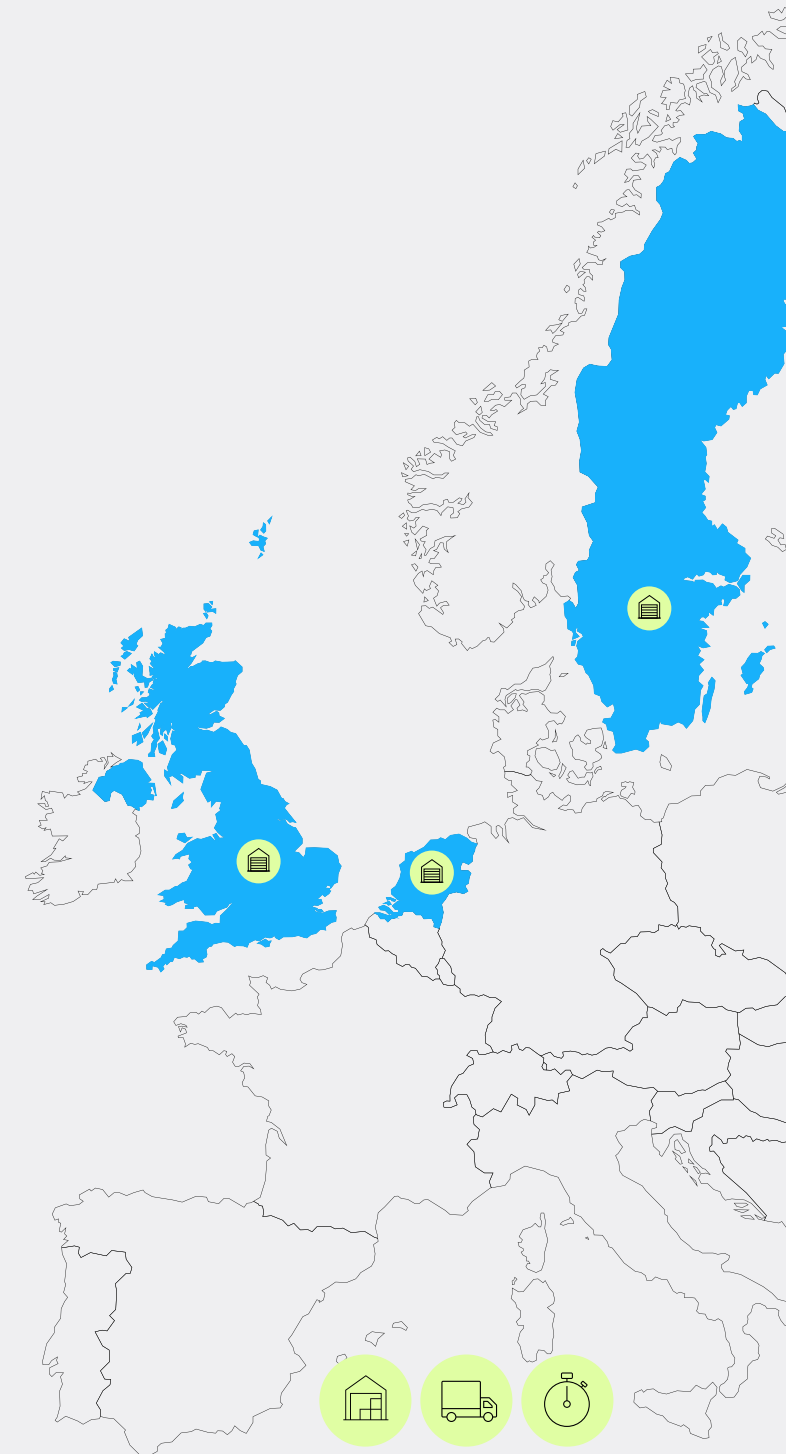
Drawn from experience. Designed for the future. And built on trust.

## Fast service

We pride ourselves on providing the best service possible to our clients, it has been part of the Wibe Group way of doing business since we started almost 100 years ago, and we are convinced that it will never go out of style. We are always just a phone call away – offering accessible, friendly, helpful, and proactive customer service whenever it is needed.

We believe in making timeless products, meaning that they won't run out of stock, or that they'll be gone the day after when you might need to complement your installation. Having our products in stock and readily available means reactive lead times and ease of procurement. We aim to work with local suppliers, to minimize time and cost for transportation and shipping – and to provide more flexibility when offer bespoke solutions.

We make sure that you get what you need, when you need it, for as long as you do.



24/7 Stock availability





# Responsible business



Wibe Group is a multinational company with operations in different parts of the world. We want to run a responsible business, by understanding and managing all effects in the value chain. We see it not only as a responsibility but also an opportunity to influence and drive sustainable development for our business and communities.

Our ambition is to take the lead in our industry. With a clear vision and long term commitment, we will get there.

In 2024, we received a Silver Sustainability Rating from EcoVadis, placing us in the top 15% of all companies in the world, and top 3% of our industry segment. Join us on our journey to create sustainable solutions for generations to come!

Read more about our sustainability work on [wibe-group.com](http://wibe-group.com)





“

Our long lasting experience together with our customers have given us the skill to simplify a sustainable and clever system









# Colour selection

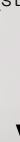
Colours that surround us in our everyday life have a meaning that extends beyond mere aesthetics. They influence our experiences, behaviors and performance while helping us navigate our physical environment. Our colours are based on local habits and needs, and they represent our standard offer. By choosing timeless colours adapted to local habits, you get a sustainable investment.



Black RAL 9017



Unpainted (steel)



Natural anodized (aluminium)



White RAL 9003



White RAL 9010



White RAL 1013





# Aluminium trunking – the perfect blend of high-performance and sustainability

If you're looking for an efficient, sustainable installation system, WGX-A aluminium trunking is the perfect fit. With its timeless design, recycled aluminium, and total flexibility to be reconfigurable and to be able to accommodate changing needs, without having to change the entire system, WGX-A stands out in our product range.

## Easy to Install

Our entire system has been designed with ease of use and ease of installation in mind. WGX-A trunking offers outstanding flexibility and is designed to accommodate changing needs over time without requiring a complete system overhaul. The system was created based on sustainable design principles, ensuring that spare parts are available for maintenance and replacement for as long as necessary, emphasizing both quality and sustainability.

## Timeless Design

The system is designed to fit together in a modern, aesthetic way. WGX-A trunking offers a sleek look with its aluminium finish, available in Natural Anodized, White RAL9003 and Black RAL9017.

## A Sustainable Choice

We believe in designing products that are environmentally friendly and sustainable. With WGX-A, we use recycled aluminium, which reduces the CO<sub>2</sub> footprint by 65% compared to the European average produced.

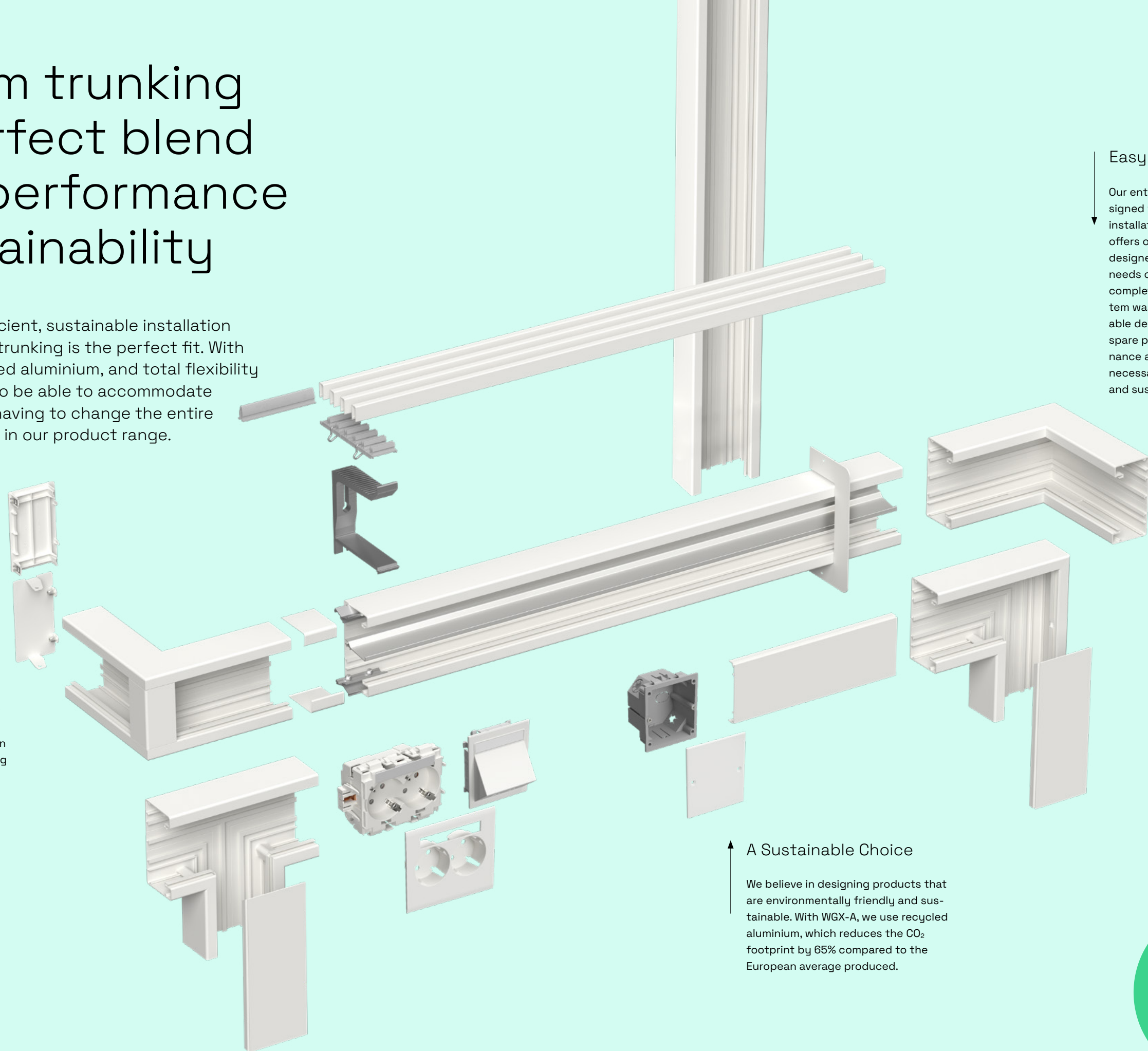
65% CO<sub>2</sub>  
FOOTPRINT  
REDUCTION

Material: Aluminium

Available dimensions:

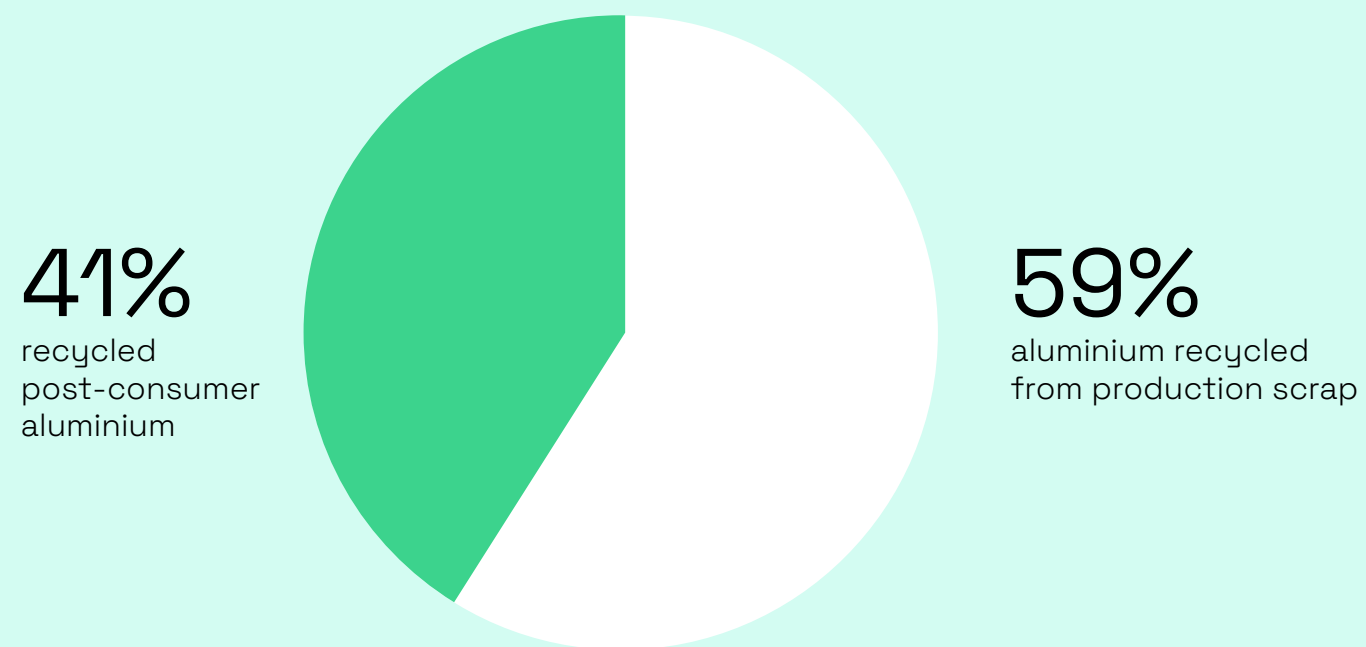
→ WGX-A 110/55

→ WGX-A 120/72

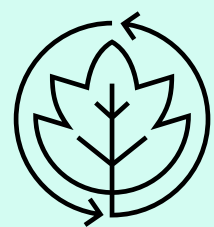
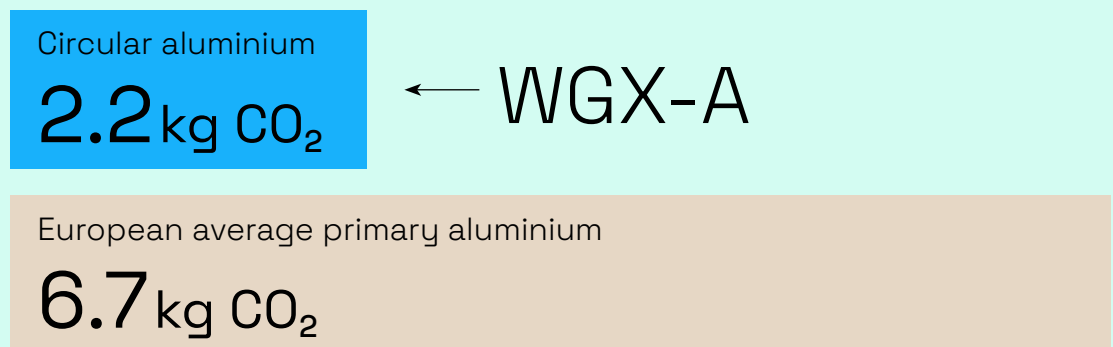




# Stago WGX-A is the first wall trunking made of 100% circular aluminium

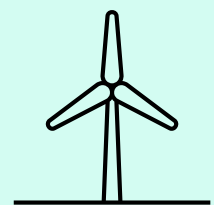


# The lowest CO<sub>2</sub> footprint on the market



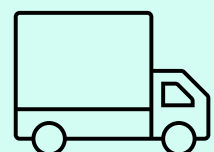
## Minimizing waste

41 percent of the WGX-A aluminium is recycled from old consumer products, and the remaining 59 percent is recycled from production scrap material.



## Minimizing energy consumption

The aluminium recycling process requires only 5% of the energy needed to produce primary aluminium, leading to significant CO<sub>2</sub> savings.



## Produced in the Nordics

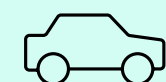
Stago WGX-A is produced locally in the Nordic region to minimize the distance of transportation.



## Circularity goes a long way

Compared to other aluminium wall trunking on the market, Stago WGX-A has the lowest CO<sub>2</sub> footprint by far.

Emissions are reduced by 65 percent when using circular aluminium, compared to the European average emissions of primary aluminum production. From 6.7 to 2.2 kg of carbon dioxide equivalents. For an office building that needs 100 meters of wall trunking installed, the reduction corresponds to the emissions from driving 2,300 kilometers with a petrol car.

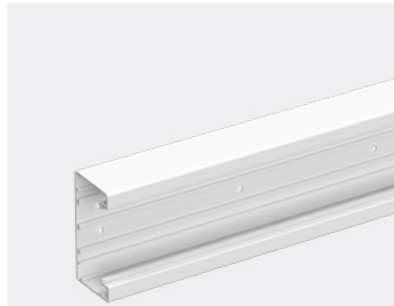




# Stago WGX-A 110/55

## Trunking base

Trunking base in low carbon footprint aluminum. 80 mm front opening. Installs directly onto the wall. Available in powder coated in white or black colour, or natural anodized. Other optional colours available on request. Use special front opening tool, to prevent damage when removing the 80 mm front cover. Dimension: 110/55/2500 mm. Material: aluminium.



Colour	White RAL9003	Black RAL9017	Natural anodized
Ref no	STA520005	STA520006	STA250007
EAN code	7321679003479	7321679003486	7321679004018

## Trunking base

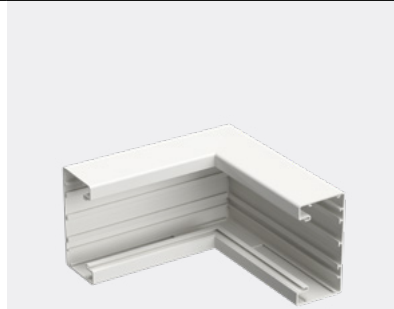
Trunking base in low carbon footprint aluminum. 80 mm front opening. Suitable for installation in vertical position, functionality as wall pole. Installs directly onto the wall. Available in powder coated in white or black colour. Use special front opening tool, to prevent damage when removing the 80 mm front cover. Dimension: 110/55/2700 mm. Material: aluminium.



Colour	White RAL9003	Black RAL9017
Ref no	STA520108	STA520109
EAN code	7321679004957	7321679004964

## Inside corner

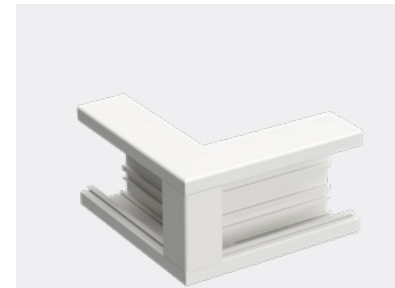
Inside corner with 80 mm front opening. Welded accessory for perfect fit and rigid installation. Connect to trunking profile with 4 jointing pieces in aluminium. Available in powder coated in white or black colour, or natural anodized. Other optional colours available on request. Dimension: 110/55/200 mm. Material: aluminium.



Colour	White RAL9003	Black RAL9017	Natural anodized
Ref no	STA520051	STA520052	STA520053
EAN code	7321679003622	7321679003639	7321679004315

## Outside corner

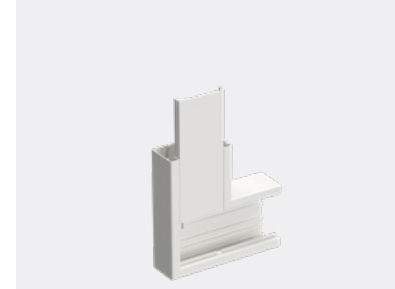
Outside corner with 80 mm front opening. 80 mm front cover piece included. Welded accessory for perfect fit and rigid installation. Connect to trunking profile with 4 jointing pieces in aluminium. Available in powder coated in white or black colour, or natural anodized. Other optional colours available on request. Dimension: 110/55/200 mm. Material: aluminium.



Colour	White RAL9003	Black RAL9017	Natural anodized
Ref no	STA520054	STA520055	STA520056
EAN code	7321679003356	7321679003349	7321679004322

## L-piece

L-piece with 80 mm front opening. 80 mm front cover piece included. Welded accessory for perfect fit and rigid installation. Connect to trunking profile with 4 jointing pieces in aluminium. Available in powder coated in white or black colour, or natural anodized. Other optional colours available on request. Dimension: 110/55/200 mm. Material: aluminium.



Colour	White RAL9003	Black RAL9017	Natural anodized
Ref no	STA520057	STA520058	STA520059
EAN code	7321679003660	7321679003677	7321679004339

## T-piece

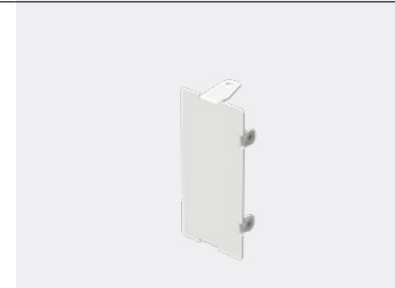
T-piece with 80 mm front opening. 80 mm front cover piece included. Welded accessory for perfect fit and rigid installation. Connect to trunking profile with 4 jointing pieces in aluminium. Available in powder coated in white or black colour, or natural anodized. Other optional colours available on request. Dimension: 110/55/200 mm. Material: aluminium.



Colour	White RAL9003	Black RAL9017	Natural anodized
Ref no	STA520060	STA520061	STA520062
EAN code	7321679003684	7321679003691	7321679004346

## End piece

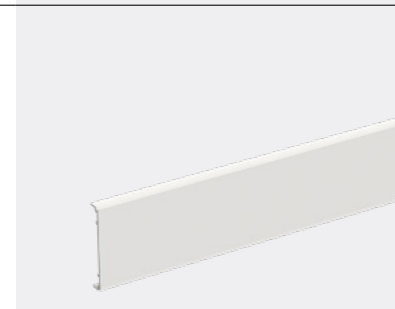
End piece to cover the open ends of the trunking base. Installation with screws. Helps protect the installation, and prevents the trunking for being open towards combustible materials if installed on wood or wood fiber walls/ceilings. Dimension: 110/55/34 mm. Material: steel.



Colour	White RAL9003	Black RAL9017	Silver
Ref no	STA520063	STA520064	STA520065
EAN code	7321679003707	7321679003714	7321679004353

## Front Cover

Low carbon footprint aluminium front cover for 80 mm front opening trunking base. Available in powder coated in white or black colour, or natural anodized. Other optional colours available on request. Use special front opening tool, to prevent damage when removing the 80mm front cover. If functional earth is required, use earth terminal and earth wire. Dimensions: 80/12/2500 mm. Material: aluminium.



Colour	White RAL9003	Black RAL9017	Natural anodized
Ref no	STA520011	STA520012	STA520013
EAN code	7321679003493	7321679003509	7321679004056



### Joint cover

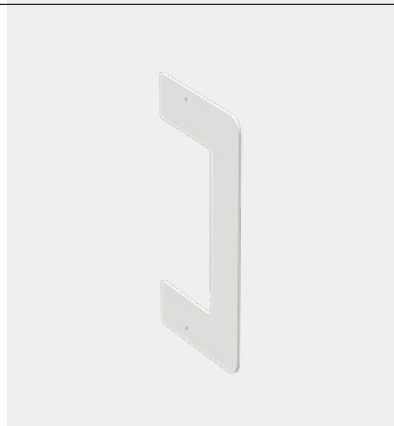
Joint cover with self-adhesive tape. Covers the joint between trunking bases if the cut is not perfect, or there is a slight angle difference between the trunking bases. The joint cover piece needs two jointing pieces to be installed to function correct. Sold in pairs. Dimension: 17/55/45 mm. Material: aluminium.



Colour	White RAL9003	Black RAL9017	Silver
Ref no	STA500050	STA500051	STA520066
EAN code	7321679003417	7321679003424	7321679004360

### Wall frame

The wall frame has a friction fit to the installation channel. Additional double sided adhesive can be used if needed. The wall frame covers the hole in the wall, but also gives a bit of tolerance to the length of the trunking. If the trunking is cut a bit short, the wall frame will take care of this. Dimension: 184/103/2 mm. Material: steel.



Colour	White RAL9003	Black RAL9017	Silver
Ref no	STA500052	STA500053	STA520116
EAN code	7321679003431	7321679003448	7321679005343

### Cable shelf

Divides the trunking into two compartments, separating the power cables from the data cables. Up to 3 cable shelves can be used, to create a maximum of 4 compartments. Dimension: 12/46/500 mm. Material: aluminium.



Colour	Silver
Ref no	STA520105
EAN code	7321679004926

### Jointing and earthing piece

Secures two pieces of trunking. Install by first clicking the Jointing and Earthing Piece into the Trunking (using your fingers or a flat screwdriver). Then fasten the screws using a cross-head screwdriver, to secure equipotential bonding. Sold in pairs. Material: aluminium.



Colour	Silver
Ref no	STA520085
EAN code	7321679003721

### Earthing wire

Secures the functional earth connection between the different components in the trunking installation. 300 mm long, 2.5mm<sup>2</sup>. Equipped with 6.3mm flat tab cable terminals on both sides, green/yellow.



Colour	Green/Yellow
Ref no	STA520086
EAN code	7321679003738

### Main earth terminal

Dedicated screw secures tight earth connection. Installs very easy in the trunking base. Fits all Wibe Groups aluminium trunking bases. Material: electroplated steel.



Colour	Silver
Ref no	STA520097
EAN code	7321679003745

### Earth terminal

Earth terminal for earthing of front cover and/or cable shelf. Installation by simply twisting into the 80 mm front cover. Use in combination with earthing wire. Material: electroplated steel.



Colour	Silver
Ref no	STA520098
EAN code	7321679003752



# Stago WGX-A 120/72

## Trunking Base

Trunking base in low carbon footprint aluminum. 80 mm front opening. Installs on wall or on fixed or adjustable brackets. Can be divided into compartments by cable shelves. Available in powder coated in white or black colour, or natural anodized. Other optional colours available on request. Use special front opening tool, to prevent damage when removing the 80 mm front cover. Dimension: 120/72/2500 mm. Material: aluminium.



Colour	White RAL9003	Black RAL9017	Natural anodized
Ref no	STA520000	STA520001	STA520004
EAN code	7321679003455	7321679003462	7321679004001

## Inside corner

Inside corner with 80 mm front opening. Welded accessory for perfect fit and rigid installation. Connect to trunking profile with 4 jointing pieces in aluminium. Available in powder coated in white or black colour, or natural anodized. Other optional colours available on request. Dimension: 120/72/200 mm. Material: aluminium.



Colour	White RAL9003	Black RAL9017	Natural anodized
Ref no	STA520019	STA520020	STA520021
EAN code	7321679003516	7321679003523	7321679004100

## Outside corner

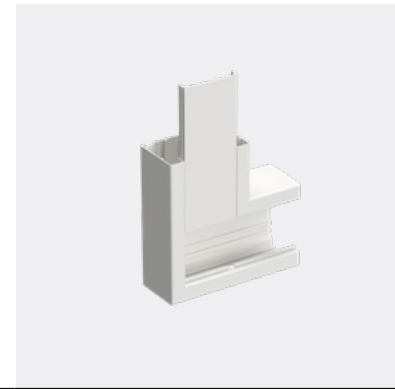
Outside corner with 80 mm front opening. 80 mm front cover piece included. Welded accessory for perfect fit and rigid installation. Connect to trunking profile with 4 jointing pieces in aluminium. Available in powder coated in white or black colour, or natural anodized. Other optional colours available on request. Dimension: 120/72/200 mm. Material: aluminium.



Colour	White RAL9003	Black RAL9017	Natural anodized
Ref no	STA520022	STA520023	STA520024
EAN code	7321679003530	7321679003547	7321679004117

## L-piece

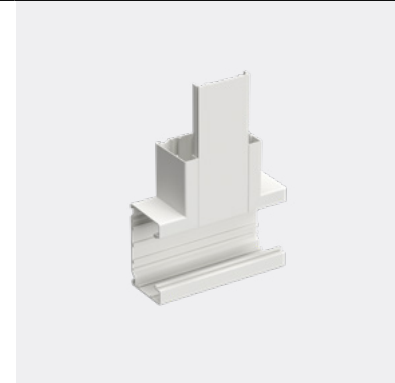
L-piece with 80 mm front opening. 80 mm front cover piece included. Welded accessory for perfect fit and rigid installation. Connect to trunking profile with 4 jointing pieces in aluminium. Available in powder coated in white or black colour, or natural anodized. Other optional colours available on request. Dimension: 120/72/200 mm. Material: aluminium.



Colour	White RAL9003	Black RAL9017	Natural anodized
Ref no	STA520025	STA520026	STA520027
EAN code	7321679003554	7321679003561	7321679004124

## T-piece

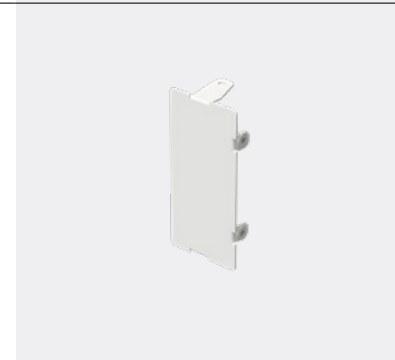
T-piece with 80 mm front opening. 80 mm front cover piece included. Welded accessory for perfect fit and rigid installation. Connect to trunking profile with 4 jointing pieces in aluminium. Available in powder coated in white or black colour, or natural anodized. Other optional colours available on request. Dimension: 120/72/200 mm. Material: aluminium.



Colour	White RAL9003	Black RAL9017	Natural anodized
Ref no	STA520028	STA520029	STA520030
EAN code	7321679003578	7321679003585	7321679004131

## End piece

End piece to cover the open ends of the trunking base. Installation with screws. Helps protect the installation, and prevents the trunking for being open towards combustible materials if installed on wood or wood fiber walls/ceilings. Available in black, white or silver colour. Dimension: 120/72/34 mm. Material: steel.



Colour	White RAL9003	Black RAL9017	Silver
Ref no	STA520031	STA520032	STA520033
EAN code	7321679003592	7321679003608	7321679004148

## Front Cover

Low carbon footprint aluminium front cover for 80 mm front opening trunking base. Available in powder coated in white or black colour, or natural anodized. Other optional colours available on request. Use special front opening tool, to prevent damage when removing the 80mm front cover. If functional earth is required, use earth terminal and earth wire. Dimensions: 80/12/2500 mm. Material: aluminium.



Colour	White RAL9003	Black RAL9017	Natural anodized
Ref no	STA520011	STA520012	STA520013
EAN code	7321679003493	7321679003509	7321679004056

## Joint cover

Used when trunking is installed with wall brackets. Joint cover with self-adhesive tape and captive clamp. Covers the joint between trunking bases if the cut is not perfect, or there is a slight angle difference between the trunking bases. The joint cover piece needs two jointing pieces to be installed to function correct. Sold in pairs. Dimension: 17/72/45 mm. Material: aluminium.




Colour	White RAL9003	Black RAL9017
Ref no	STA500020	STA500021
EAN code	7321679003295	7321679003301



### Joint cover short

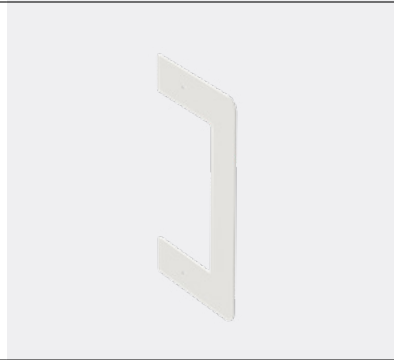
Used when trunking is installed directly onto the wall. Joint cover with self-adhesive tape. Covers the joint between trunking bases if the cut is not perfect, or there is a slight angle difference between the trunking bases. The joint cover piece needs two jointing pieces to be installed to function correct. Sold in pairs. Dimension: 17/72/45 mm. Material: aluminium.






Colour	 Silver
Ref no	STA520101
EAN code	7321679004629

### Wall frame

Wall frame in steel. When installing a trunking that passes through a partition wall, the wall frame is added to cover the hole in the wall. Adhesive tape on the back for easy installation. Mounted with screws (not included with the frame). Available in white, black or silver colour. Dimension: 184/103/2 mm. Material: steel.





Colour	 White RAL9003	 Black RAL9017	 Silver
Ref no	STA520113	STA520114	STA520115
EAN code	7321679005312	7321679005329	7321679005336

### Wall frame

The wall frame has a friction fit to the trunking. Additional double sided adhesive can be used if needed. The wall frame covers the hole in the wall, but also gives a bit of tolerance to the length of the trunking. If the trunking is cut a bit short, the wall frame will take care of this. Dimension: 190/140/35 mm. Material: Plastic, halogen free.




Colour	 White RAL9003	 Black RAL9017
Ref no	STA500022	STA500023
EAN code	7321679003318	7321679003325

### Cable shelf

Divides the trunking into two compartments, separating the power cables from the data cables. Up to 3 cable shelves can be used, to create a maximum of 4 compartments. Dimension: 12/65/500 mm. Material: aluminium.









Ref no	 STA520034
EAN code	7321679003615

### Fixed wall bracket

Fixed wall bracket in three different depths, from 1 to 6 ventilation ribs. Since the fixed wall bracket is flat on the top surface, it can be used when installing marble, wood or other window seal materials. It can also be used with our ventilation rib holder and ventilation ribs, to allow warm air from the radiator to reach the window. Material: aluminum.




Ref no	 STA500058	 STA500059	 STA500060
EAN code	7321679003905	7321679003349	7321679003356
Depth	35 mm	56 mm	79 mm
Vent.ribs	1	2	3
Ref no	 STA500061	 STA500062	 STA500063
EAN code	7321679003363	7321679003912	7321679003929
Depth	110 mm	123 mm	146 mm
Vent.ribs	4	5	6

### Ventilation rib holder

Ventilation rib holder. The ventilation rib installs securely with the included spring clip. Can be cut to length, and adjusted to the number of ventilation ribs installed. Two clips are included. The clip can be purchased as a spare part if lost. Dimension: 15/34/125 mm. Material: Plastic, halogen free.






Ref no	 STA500057
EAN code	7321679003660

### Ventilation rib

Allows the heat from the radiator to reach the window, and covers the gap between the wall/window and trunking. The trunking should never be installed directly above a radiator, regardless of material. Available in powder coated in white or black colour, or natural anodized. Other optional colours available on request. Dimensions: 20/10/2500 mm. Material: aluminum.




Colour	 White RAL9003	 Black RAL9017	 Natural anodized
Ref no	STA500068	STA500069	STA520091
EAN code	7321679003370	7321679003387	7321679004582

### Ventilation rib jointing piece

Jointing piece for ventilation ribs. Grey colour. Makes for a nicer installation, when joining two ventilation ribs in mid air. Installs from the bottom of the ventilation rib with a click. Dimension: 19/10/100 mm. Material: PLA plastic, halogen free.




Ref no	 STA500070
EAN code	7321679003394

### Ventilation rib clip

The clip secures the ventilation rib holder. Material: steel.




Ref no	 STA500071
EAN code	7321679003400

### Jointing and earthing piece

Secures two pieces of trunking. Install by first clicking the Jointing and Earthing Piece into the Trunking (using your fingers or a flat screwdriver). Then fasten the screws using a cross-head screwdriver, to secure equipotential bonding. Sold in pairs. Material: aluminium.




Ref no	 STA520085
EAN code	7321679003721

### Earthing wire

Secures the functional earth connection between the different components in the trunking installation. 300 mm long, 2.5mm<sup>2</sup>. Equipped with 6.3mm flat tab cable terminals on both sides, green/yellow.



Ref no	 STA520086
EAN code	7321679003738



### Main earth terminal

Dedicated screw secures tight earth connection. Installs very easy in the trunking base. Fits all Wibe Groups aluminium trunking bases.  
Material: electroplated steel.



Ref no STA520097  
EAN code 7321679003745

### Earth terminal

Earth terminal for earthing of front cover. Installation by simply twisting into the 80 mm front cover. Use in combination with earthing wire.  
Material: electroplated steel.



Ref no STA520098  
EAN code 7321679003752



# Cable capacity

## Technical data

Standards	The products comply with the standards: EN 50085-1 & IEC 61084-1 EN 50085-2/1 & IEC 61084-2/1  *The products satisfy the provisions for CE marking according to the Low Voltage Directive 2014/35/EU.*  *The products comply with the RoHS directive 2011/65 EU, REACH Directive 2006/1907 EU (Restriction of Hazardous Substances) *
-----------	---------------------------------------------------------------------------------------------------------------------------------------------------------------------------------------------------------------------------------------------------------------------------------------------------------------------------------------------------------

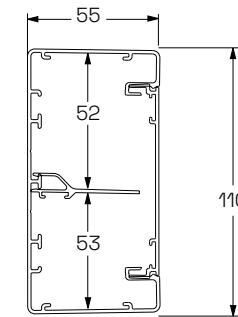
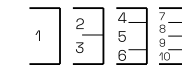
## Material data

Aluminum	
Material	Recycled Aluminum EN AW - 6060 T6, 6061 T6, 6063 T6
Density	2.710 g/cm <sup>3</sup>
Surface treatment	Powder Coated
Colour Spec	White RAL9003 Black RAL9017 Natural Anodized
Plastic	
Material	PLA ( Polylactic acid)
Density	1.25 g/cm <sup>3</sup>
Fire rating	Non-flame propagating ,650 °C, GWT as per IEC 60695-2-11
Colour Spec	White RAL9003 Black RAL9017 Silver RAL9006
Steel	
Material	Pre-galvanized sheet steel in accordance with EN 10346 ,
Density	7.646 g/cm <sup>3</sup>
Surface treatment	Zinc coating, Powder coated
Colour spec	White RAL9003 Black RAL9017 Silver RAL9006

## Operative data

Temperature range	From -25°C to +60°C
Suitable outdoors	No
Degree of protection	IP20
Suitable for environmental Corrosion Class According to ISO 12944-2	C1, C2
Impedance of ducting length or trunking length	0.8 mΩ/m
Trunking access cover retention	Access cover can only be opened with a tool.
Non reusable fasteners	Jointing & earthing piece (STA520085) Earth terminal for 80 mm and 40 mm front cover (STA520098)

## 110/55



Comp. No.	Diameter of wire	Cross section area mm <sup>2</sup>	Cable capacity mm <sup>2</sup> 40%	50%	60%
-----------	------------------	------------------------------------	------------------------------------	-----	-----

Without mounting boxes					
1	37	4110	1644	2055	2466
2	35	2002	801	1001	1201
3	34	1946	778	973	1168
4	30	1052	421	526	631
5	35	1744	698	872	1047
6	24	1007	403	504	604
7	30	1052	421	526	631
8	23	791	316	395	475
9	23	791	316	395	475
10	24	1007	403	504	604

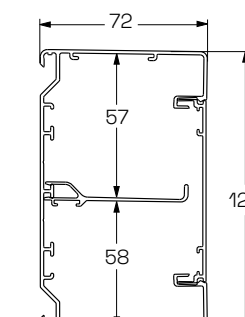
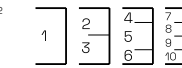
Compartment 4 and 7 can only be considered for vertical installations.

With 50 mm deep sockets					
1	18	1587	635	793	952
2	18	722	289	361	433
3	18	865	346	433	519
4	18	702	281	351	421
5	0	0	0	0	0
6	18	838	335	419	503
7	18	702	281	351	421
8	0	0	0	0	0
9	0	0	0	0	0
10	18	838	335	419	503

With 45 mm deep sockets					
1	18	1882	753	941	1129
2	18	847	339	423	508
3	18	973	389	487	584
4	18	663	265	331	398
5	8	314	126	157	188
6	18	800	320	400	480
7	18	663	265	331	398
8	8	126	50	63	75
9	8	126	50	63	75
10	18	800	320	400	480

With 23 mm deep sockets					
1	37	3971	1589	1986	2383
2	29	1937	775	968	1162
3	27	1870	748	935	1122
4	25	913	365	456	548
5	37	1729	717	896	1075
6	23	939	376	470	564
7	25	913	365	456	548
8	23	834	333	417	500
9	23	794	317	397	476
10	23	939	376	470	564

## 120/72



Comp. No.	Diameter of wire	Cross section area mm <sup>2</sup>	Cable capacity mm <sup>2</sup> 40%	50%	60%
-----------	------------------	------------------------------------	------------------------------------	-----	-----

Without mounting boxes					
1	53	6434	2574	3217	3860
2	54	3344	1338	1672	2007
3	51	3084	1234	1542	1850
4	33	1862	745	931	1117
5	48	2792	1117	1396	1675
6	27	1723	689	861	1034
7	33	1862	745	931	1117
8	23	1303	521	651	782
9	23	1303	521	651	782
10	27	1723	689	861	1034

Compartment 4 and 7 can only be considered for vertical installations.

With 50 mm deep sockets					
1	26	4065	1626	2032	2439
2	26	1892	757	946	1135
3	26	2035	814	1017	1221
4	26	1397	559	698	838
5	20	873	349	436	524
6	26	1532	613	766	919
7	26	1397	559	698	838
8	15	362	145	181	217
9	15	373	149	187	224
10	26	1532	613	766	919

With 45 mm deep sockets					
1	25	4212	1685	2106	2527
2	25	1976	790	988	1186
3	25	2092	837	1046	1255
4	25	1368	547	684	821
5	23	1080	432	540	648
6	25	1495	598	747	897
7	25	1368	547	684	821
8	17	468	187	234	281
9	17	468	187	234	281
10	25	1495	598	748	897

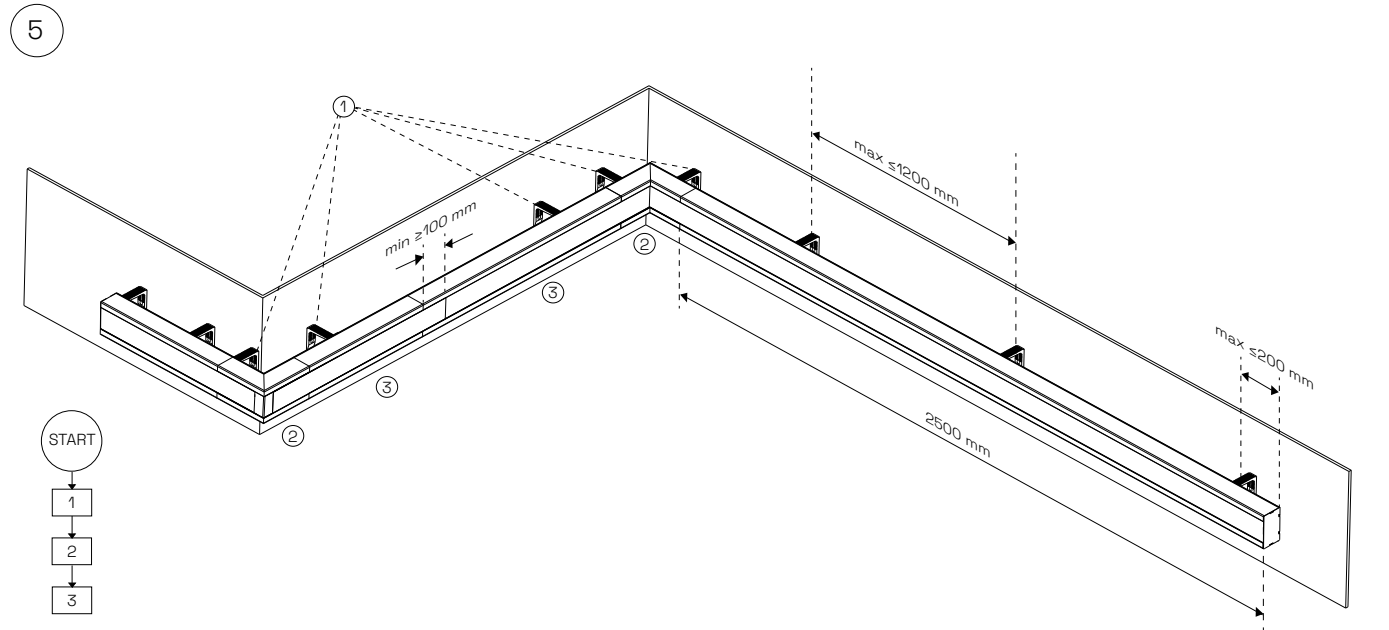
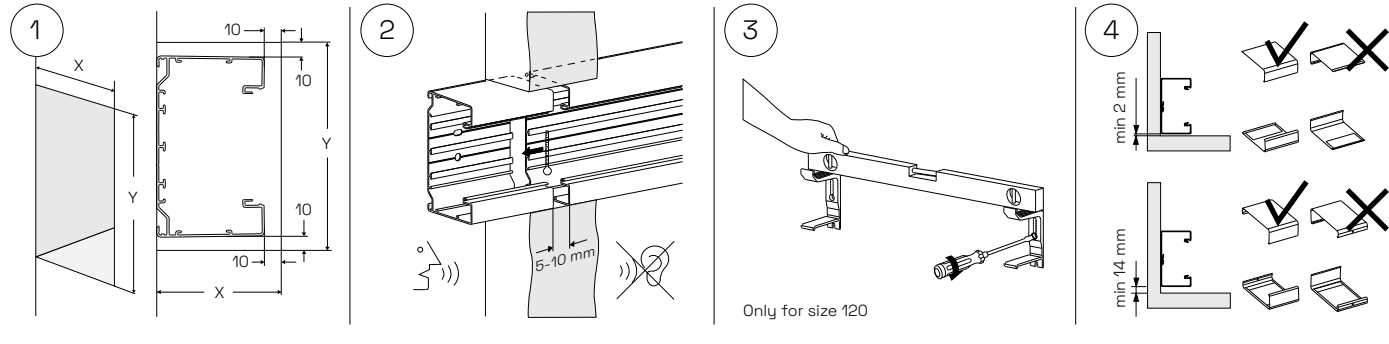
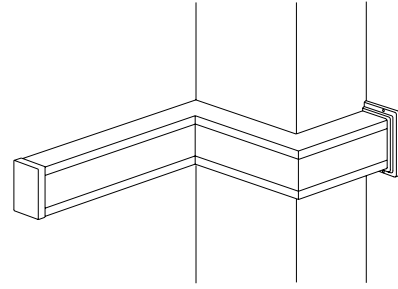
With 23 mm deep sockets					
1	53	6301	2520	3151	3781
2	44	3107	1243	1553	1864
3	43	3010	1204	1505	1806
4	36	1674	670	837	1005
5	48	2618	1047	1309	1571
6	30	1656	662	828	994
7	36	1674	670	837	1005
8	23	1238	495	619	743
9	23	1196	478	598	718
10	30	1656	662	828	994



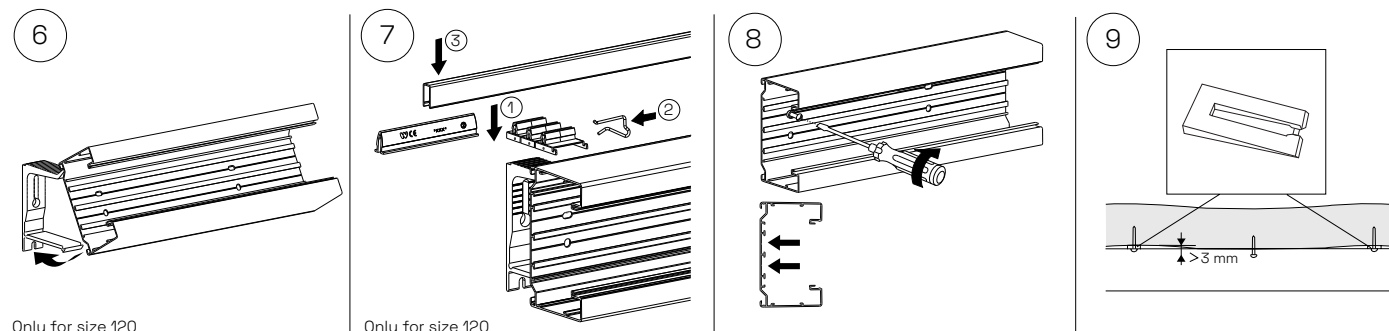
# Installation

## Aluminium trunking 110, 120

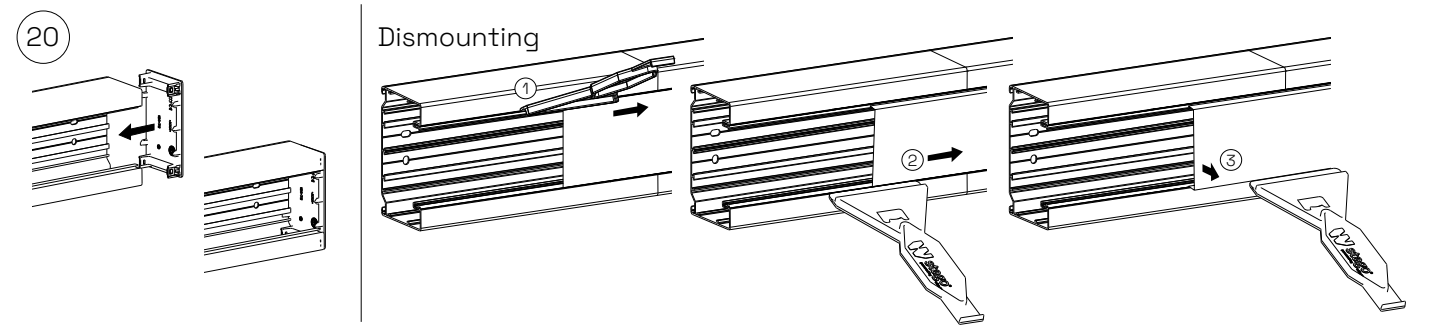
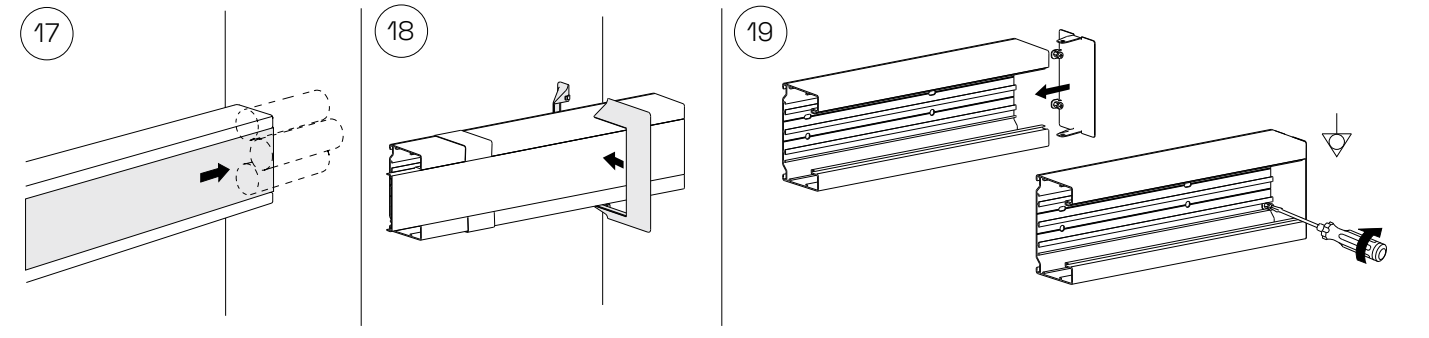
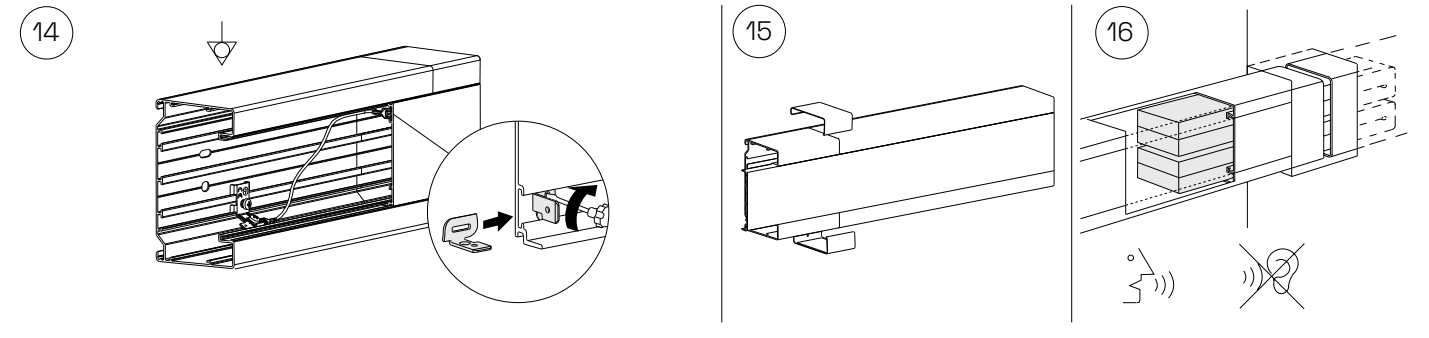
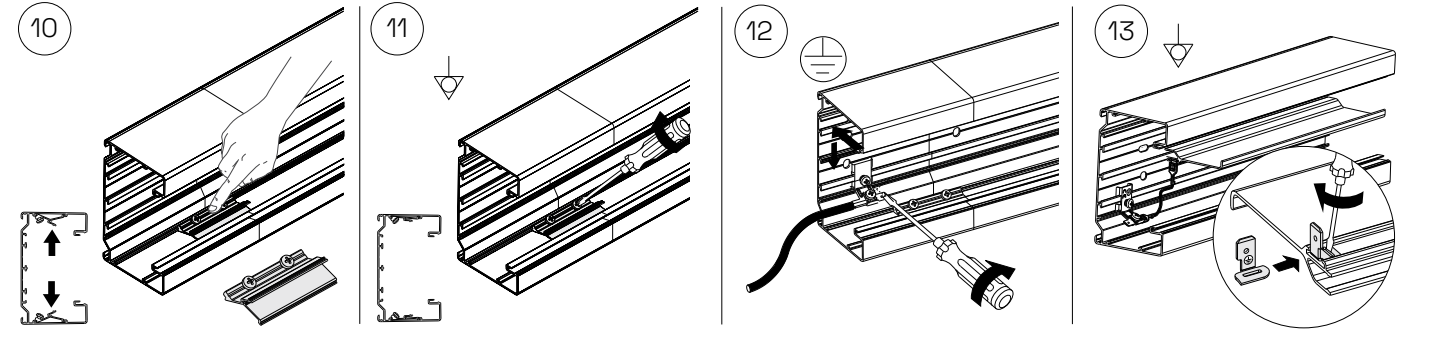
110: STA520005  
STA520006  
120: STA5520000  
STA5520001



Only for size 120



Only for size 120





One solution  
where all parts  
fit together





# Steel trunking

– strong and versatile,  
built to last

Our WGX steel trunking is designed to provide a reliable and long-lasting installation system. Constructed from high-quality steel, this robust trunking offers unparalleled strength and durability, ensuring that your cables are well-protected in even the most demanding environments.

## Dependable and resilient

This steel trunking is engineered to be both dependable and resilient. Whether you need to manage power, low voltage, tele, or data cables, our trunking is up to the task, providing the reliability and durability you need to keep your cables organized and secure. Popular in hospital environments due to its excellent shielding properties.

## Versatile design

Our steel trunking is highly versatile, making it ideal for a wide range of applications. With a variety of sizes and configurations available, you can choose the perfect trunking to meet your unique needs. And it can be easily customized or modified as your requirements change.

## Efficient and effective

Our steel trunking is designed for efficiency and effectiveness. Thanks to its smart design and user-friendly features, you can quickly and easily install and maintain your installation system, ensuring that your business operates smoothly.

Material: Steel

Available dimensions:

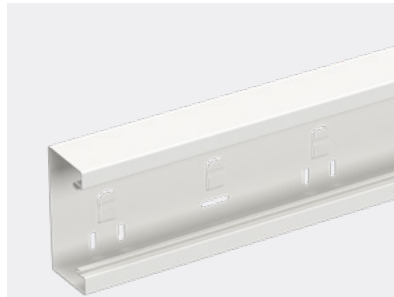
- WGX 110/52
- WGX 110/72
- WGX 120/65
- WGX 130/72
- WGX 165V/52
- WGX 170/65
- WGX 170A/65
- WGX 170(A)/72
- WGX 183/72
- WGX 233/72

**UNPARALLELED  
STRENGTH AND  
DURABILITY**

# Stago WGX 110/52

## Trunking Base

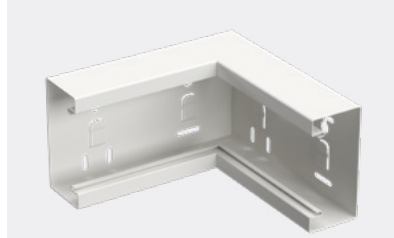
Steel trunking base with 80 mm front opening. Installs on wall or on fixed or adjustable brackets. Can be divided into compartments by cable shelves. Powder coated. Dimension: 110/52/2500 mm. Material: steel.



Colour	White RAL9003	White RAL9010	Black RAL9017
Ref.nr.	STA550004	INS5550003	STA550071
EAN Code	8720871001075	7315880080701	8720871001174

## Inside Corner

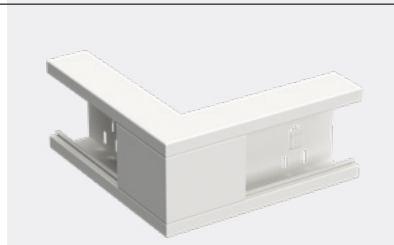
Inside corner with 80 mm front opening. Can be divided into compartments by cable shelves. To be used with sheet steel front cover. Dimension: 110/52/200 mm. Material: steel.



Colour	White RAL9003	White RAL9010	Black RAL9017
Ref.nr.	STA550005	INS5550203	STA550069
EAN Code	8720871001082	7315880080725	8720871001150

## External corner kit

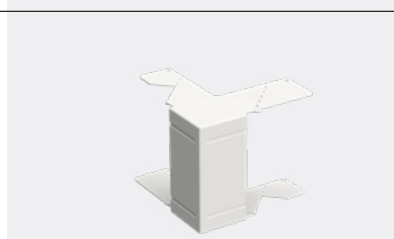
Outside corner with 80 mm front opening, kit including sheet steel front cover. Can be divided into compartments by cable shelves. Dimension: 110/52/200 mm. Material: steel.



Colour	White RAL9003	White RAL9010	Black RAL9017
Ref.nr.	STA550006	INS5550403	STA550073
EAN Code	8720871001099	7315880080749	8720871001198

## Universal corner

Universal corner. Can be used both as internal and external corner. Dimension: 110/52/130 mm. Material: steel.



Colour	White RAL9003	White RAL9010	Black RAL9017
Ref.nr.	STA550001	INS5550103	STA550068
EAN Code	8720871001044	7315885550100	8720871001143

## L-piece Kit Rise/Drop

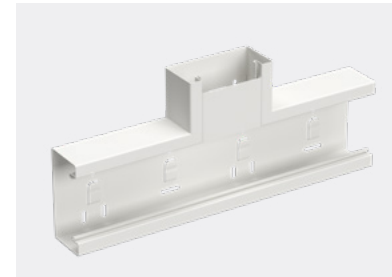
90° bend with 80 mm front opening. Kit including sheet steel front cover of 225 mm length. Can be divided into compartments by cable shelves. Dimension: 250/52/250 mm. Material: steel.



Colour	White RAL9003	White RAL9010	Black RAL9017
Ref.nr.	STA550007	INS5550503	STA550072
EAN Code	8720871001105	7315880080763	8720871001181

## T-piece Kit

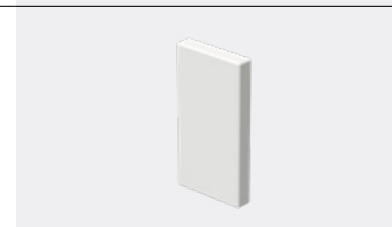
T-piece kit including sheet steel front cover. With 80 mm front opening and integrated flanges that must be bent up to a 90° angle before assembly. Can be divided into compartments by cable shelves. 110/52/400 mm. Material: steel.



Colour	White RAL9003	White RAL9010	Black RAL9017
Ref.nr.	STA550002	INS5550603	STA550070
EAN Code	8720871001051	7315880080787	8720871001167

## Stop End

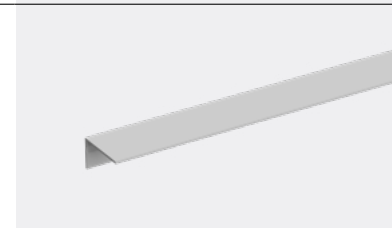
Stop end intended to cover the ends of the trunking base. Dimension: 110/52/11 mm. Material: steel.



Colour	White RAL9003	White RAL9010	Black RAL9017
Ref.nr.	STA550008	INS5550803	STA550075
EAN Code	8720871001112	7315880080824	8720871001211

## Cable shelf single 52 mm

Single cable shelf, intended to divide the trunking into compartments. Dimension: 27/40/1000. Material: steel.



Material	Steel
Ref.nr.	5591730
EAN Code	7315880113355

## Cable shelf double 52 mm

Cable shelf, double, intended to divide the trunking into compartments. Dimension: 41/33/1000 mm. Material: steel.



Material	Steel
Ref.nr.	5591733
EAN Code	7315885591738

## Front cover 80 mm

Front cover for the 80 mm front opening. The front cover guarantees equipotential bonding when installed in the trunking base. Dimension: 80/12.7/1500 mm. Material: steel.



Colour	White RAL9003	White RAL9010	Black RAL9017
Ref.nr.	STA550066	INS5596003	STA550154
EAN Code	8720871002683	7315880097990	8720871002706

## Outlet front cover 100 mm

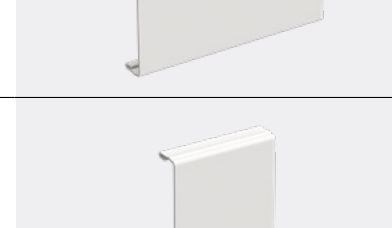
Outlet front cover kit including two front cover pieces, to be fitted on either side of socket outlets. Dimension: 80/12.7/100 mm. Material: steel.



Colour	White RAL9003	White RAL9010	Black RAL9017
Ref.nr.	STA550065	INS5596053	STA550155
EAN Code	8720871002676	3606480340789	8720871002713

## Outlet front cover 50 mm

Outlet front cover kit including two front cover pieces, to be fitted on either side of socket outlets. Dimension: 80/12.7/50 mm. Material: steel.



Ref.nr.	STA550067	5595107	STA550156
EAN Code	8720871002690	7315880098089	8720871002720

## Joining piece

Joint piece, intended to joint trunking base parts together and connect them to earth between trunking sections. Dimension: 60/51/7 mm. Material: steel.



Ref.nr.	5590930
EAN Code	7315885590939



### Earth wire 300 mm

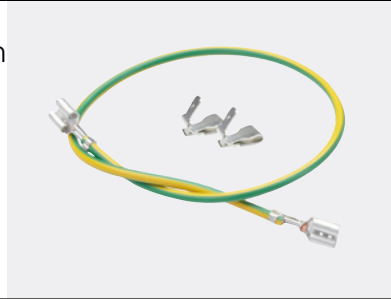
Secures the functional earth connection between the different components in the trunking installation. 300 mm long, 2.5mm<sup>2</sup>. Equipped with 6.3mm flat tab cable terminals on both sides, green/yellow.



Ref.nr. STA520086  
EAN Code 7321679003738

### Earthing wire incl. grip-on fixation clips

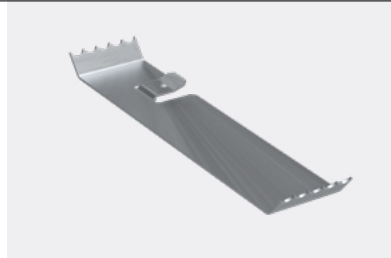
Secures the electrical bonding connection specifically between cable shelves in the steel trunking installation. Equipped with 6.3mm flat tab cable terminals on both sides and grip-on clips, green/yellow.



Ref.nr. INS5510953  
EAN Code 7321679004919

### Earthing clamp cover

For earthing covers shorter than 100 mm. For 80 mm front cover. Dimensions: 79/5/16 mm. Material: stainless steel.



Ref.nr. 5590509  
EAN Code 7315880098010

### Wall bracket fixed Low

Fixed depth wall brackets for mounting at a distance from the wall. Low for up to 130 mm trunking. Two self-drilling screws are included to each product. Material: Steel.



Ref.nr. INS55015    INS55035  
EAN Code 3606489420543    3606489420550  
Dimension 120/80/15 mm    120/80/35 mm

### Wall brackets adjust Low

Adjustable wall bracket for mounting of trunking at a distance from the wall. For 110 and 130 mm high trunking. Material: steel.



Ref.nr. 5583510    5583512    5583514  
EAN Code 7315885583511    7315880078647    7315880078654  
Dimension 162/126/50    162/126/110    162/126/170  
Adjst between 50-70 mm    70-110 mm    110-170 mm  
Ref.nr. 5583516  
EAN Code 7315880078661  
Dimension 162/126/160  
Adjst between 160-260 mm

### Ventilation rib holder

Ventilation rib holder. The ventilation rib installs securely with the included spring clip. Can be cut to length, and adjusted to the number of ventilation ribs installed. Two clips are included. The clip can be purchased as a spare part if lost. Dimension: 15/34/125 mm. Material: PLA plastic, halogen free.



Ref no STA500057  
EAN code 7321679003660

### Ventilation rib jointing piece

Jointing piece for ventilation ribs. Grey colour. Makes for a nicer installation, when joining two ventilation ribs in mid air. Installs from the bottom of the ventilation rib with a click. Dimension: 19/10/100 mm. Material: PLA plastic, halogen free.



Ref no STA500070  
EAN code 7321679003608

### Ventilation rib clip

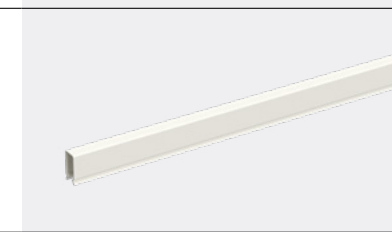
The clip secures the ventilation rib holder. Dimension: 38/22 Ø2 mm. Material: steel.



Ref no STA500071  
EAN code 7321679003400

### Ventilation rib

Ventilation ribs. Dimension: 20/10/2500 mm. Material: steel.



Colour	White RAL9003	White RAL9010	Black RAL9017
Ref.nr.	STA550153	INS5590444	STA550152
EAN Code	8720871004717	8720871002652	8720871002751

### Joint Cover piece

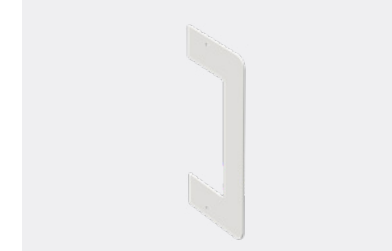
Joint cover piece, intended to cover joints between trunking sections. Dimension: 110/52/30 mm. Material: steel.



Colour	White RAL9003	White RAL9010	Black RAL9017
Ref.nr.	STA550009	5595203	STA550074
EAN Code	8720871001129	7315880084976	8720871001204

### Wall Frame

Wall frame to be used to cover a trunking passage through the wall or to make an attractive finish of the trunking against a wall. Dimension: 110/52/11 mm. Material: Steel.



Colour	White RAL9003	White RAL9010	Black RAL9017
Ref.nr.	STA550003	STA550180	STA550076
EAN Code	8720871001068	8720871001136	8720871001228

# Stago WGX 110/72

## Trunking Base

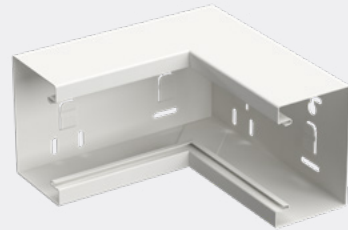
Steel trunking base with 80 mm front opening. Installs on wall or on fixed or adjustable brackets. Can be divided into compartments by cable shelves. Powder coated. Dimension: 110/72/2500 mm. Material: steel.



Colour	White RAL9003	White RAL9010	Black RAL9017
Ref.nr.	STA550013	INS5550013	STA550080
EAN Code	8720871001266	7315880080848	8720871001365

## Inside Corner

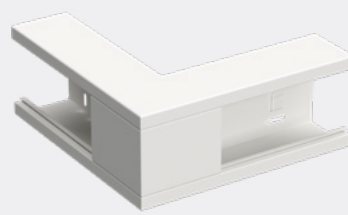
Inside corner with 80 mm front opening. Can be divided into compartments by cable shelves. To be used with sheet steel front cover. Dimension: 110/72/200 mm. Material: steel.



Colour	White RAL9003	White RAL9010	Black RAL9017
Ref.nr.	STA550014	INS5550213	STA550078
EAN Code	8720871001273	7315880080862	8720871001341

## Outside Corner kit

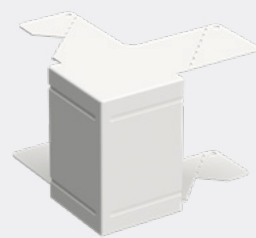
Outside corner with 80 mm front opening, kit including sheet steel front cover. Can be divided into compartments by cable shelves. Dimension: 110/72/200 mm. Material: steel.



Colour	White RAL9003	White RAL9010	Black RAL9017
Ref.nr.	STA550015	INS5550413	STA550082
EAN Code	8720871001280	7315880080886	8720871001389

## Universal Corner

Universal corner. Can be used both as internal and external corner. Dimension: 110/72 /150 mm. Material: steel.



Colour	White RAL9003	White RAL9010	Black RAL9017
Ref.nr.	STA550010	INS5550123	STA550077
EAN Code	8720871001235	7315885550124	8720871001334

## L-piece kit rise/drop

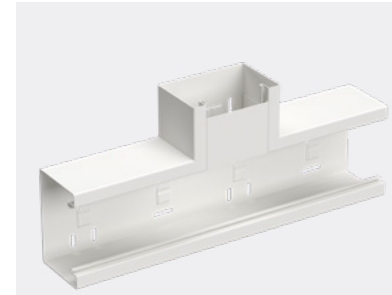
90° bend with 80 mm front opening. Kit including sheet steel front cover of 225 mm length. Can be divided into compartments by cable shelves. Available as riser or dropper. Dimension: 250/72/250 mm. Material: steel.



Colour	White RAL9003	White RAL9010	Black RAL9017
Ref.nr.	STA550016	INS5550513	STA550081
EAN Code	8720871001297	7315880080909	8720871001372

## T-piece kit

T-piece kit including sheet steel front cover. With 80 mm front opening and integrated flanges that must be bent up to a 90° angle before assembly. Can be divided into compartments by cable shelves. Dimension: 110/72 /400 mm. Material: steel.



Colour	White RAL9003	White RAL9010	Black RAL9017
Ref.nr.	STA550011	INS5550613	STA550079
EAN Code	8720871001242	7315880080923	8720871001358

## Stop End

Stop end intended to cover the ends of the trunking base. Available as left-hand and right-hand for some of the trunking sizes. Dimension: 110/72/11 mm. Material: steel.



Colour	White RAL9003	White RAL9010	Black RAL9017
Ref.nr.	STA550017	INS5550813	STA550084
EAN Code	8720871001303	7315880080961	8720871001402

## Cable shelf single 72 mm

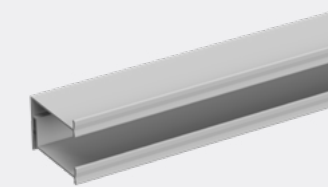
Single cable shelf, intended to divide the trunking into compartments. Dimension: 27/60/1000 mm. Material: steel.



Material	Steel
Ref.nr.	5591740
EAN Code	7315885591745

## Cable shelf double 72 mm

Cable shelf, double, intended to divide the trunking into compartments. Dimension (steel): 41/52/1000 mm. Dimension (PVC): 49/61/500 mm.



Material	Steel	PVC
Ref.nr.	5591743	5591720
EAN Code	7315880113362	7315885591721

## Front cover 80 mm

Front cover for the 80 mm front opening. The front cover guarantees equipotential bonding when installed in the trunking base. Dimension: 80/12.7/1500 mm. Material: steel.



Colour	White RAL9003	White RAL9010	Black RAL9017
Ref.nr.	STA550066	INS5596003	STA550154
EAN Code	8720871002683	7315880097990	8720871002706

## Outlet front cover 100 mm

Outlet front cover kit including two front cover pieces, to be fitted on either side of socket outlets. Dimension: 80/12.7/100 mm. Material: steel.



Colour	White RAL9003	White RAL9010	Black RAL9017
Ref.nr.	STA550065	INS5596053	STA550155
EAN Code	8720871002676	3606480340789	8720871002713

## Outlet front cover 50 mm

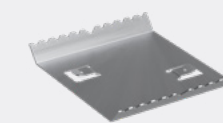
Outlet front cover kit including two front cover pieces, to be fitted on either side of socket outlets. Dimension: 80/12.7/50 mm. Material: steel.



Colour	White RAL9003	White RAL9010	Black RAL9017
Ref.nr.	STA550067	5595107	STA550156
EAN Code	8720871002690	7315880098089	8720871002720

## Joining piece

Joint piece, intended to joint trunking base parts together and connect them to earth between trunking sections. Dimension: 60/71/7 mm. Material: steel.



Ref.nr.	5590935
EAN Code	7315880066026



### Earth wire 300 mm

Secures the functional earth connection between the different components in the trunking installation. 300 mm long, 2.5mm<sup>2</sup>. Equipped with 6.3mm flat tab cable terminals on both sides, green/yellow.



Ref.nr. STA520086  
EAN Code 7321679003738

### Earthing wire incl. grip-on fixation clips

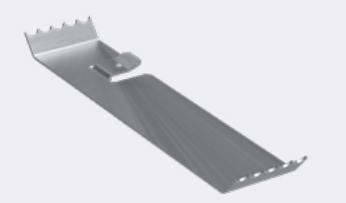
Secures the electrical bonding connection specifically between cable shelves in the steel trunking installation, Equipped with 6.3mm flat tab cable terminals on both sides and grip-on clips, green/yellow.



Ref.nr. INS5510953  
EAN Code 7321679004919

### Earthing clamp cover

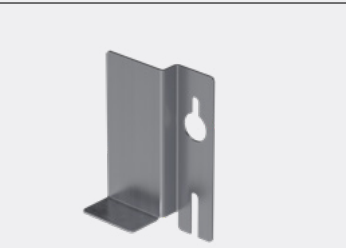
For earthing covers shorter than 100 mm. For 80 mm front cover. Dimensions: 79/5/16 mm. Material: stainless steel.



Ref.nr. 5590509  
EAN Code 7315880098010

### Wall bracket fixed Low

Fixed depth wall brackets for mounting at a distance from the wall. Low for up to 130 mm trunking. Two self-drilling screws are included to each product. Material: Steel, unpainted.



Ref.nr.	INS55015	INS55035
EAN Code	3606489420543	3606489420550
Dimension	120/80/15 mm	120/80/35 mm

### Wall brackets adjust Low

Adjustable wall bracket for mounting of trunking at a distance from the wall. For 110 and 130 mm high trunking. Material: steel.



Ref.nr.	5583510	5583512	5583514
EAN Code	7315885583511	7315880078647	7315880078654
Dimension	162/126/50	162/126/110	162/126/170
Adjst between	50-70 mm	70-110 mm	110-170 mm

Ref.nr. 5583516  
EAN Code 7315880078661  
Dimension 162/126/160  
Adjst between 160-260 mm

### Ventilation rib holder

Ventilation rib holder. The ventilation rib installs securely with the included spring clip. Can be cut to length, and adjusted to the number of ventilation ribs installed. Two clips are included. The clip can be purchased as a spare part if lost. Dimension: 15/34/125 mm. Material: PLA plastic, halogen free.



Ref no STA500057  
EAN code 7321679003660

### Ventilation rib jointing piece

Jointing piece for ventilation ribs. Grey colour. Makes for a nicer installation, when joining two ventilation ribs in mid air. Installs from the bottom of the ventilation rib with a click. Dimension: 19/10/100 mm. Material: PLA plastic, halogen free.



Ref no STA500070  
EAN code 7321679003608

### Ventilation rib clip

The clip secures the ventilation rib holder. Dimension: 38/22 Ø2 mm. Material: steel.



Ref no STA500071  
EAN code 7321679003400

### Ventilation rib

Ventilation ribs. Dimension: 20/10/2500 mm. Material: steel.



Colour	White RAL9003	White RAL9010	Black RAL9017
Ref.nr.	STA550153	INS5590444	STA550152
EAN Code	8720871004717	8720871002652	8720871002751

### Joint Cover piece

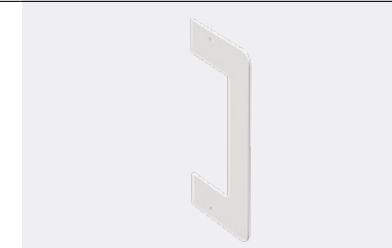
Joint cover piece, intended to cover joints between trunking sections. Dimension: 110/72/30 mm. Material: steel.



Colour	White RAL9003	White RAL9010	Black RAL9017
Ref.nr.	STA550018	5595208	STA550083
EAN Code	8720871001310	7315880085010	8720871001396

### Wall Frame

Wall frame to be used to cover a trunking passage through the wall or to make an attractive finish of the trunking against a wall. Dimension: 110/72/11 mm. Material: steel.



Colour	White RAL9003	White RAL9010	Black RAL9017
Ref.nr.	STA550012	STA550181	STA550085
EAN Code	8720871001259	8720871001327	8720871001419

# Stago WGX 120/65

## Trunking Base

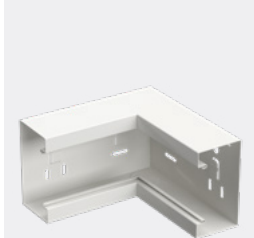
Steel trunking base with 80 mm front opening. Installs on wall or on fixed or adjustable brackets. Can be divided into compartments by cable shelves. Powder coated. Dimension: 110/65/3000 mm. Material: Steel.



Colour	White RAL9003	White RAL9010	White RAL1013	Black RAL9017	Unpainted
Ref.nr.	STA550023	INS5551003	INS5551002	STA550090	INS5551000
EAN Code	8720871001471	7315880080046	7315880080053	8720871001600	7315885551008

## Inside Corner

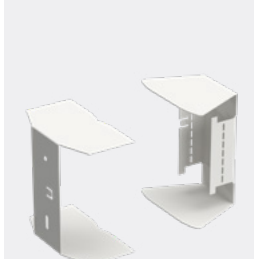
Inside corner with 80 mm front opening. Can be divided into compartments by cable shelves. To be used with sheet steel front cover. Dimension: 120/65/200 mm. Material: Steel.



Colour	White RAL9003	White RAL9010	White RAL1013	Black RAL9017	Unpainted
Ref.nr.	STA550021	INS5551203	INS5551202	STA550088	INS5551200
EAN Code	8720871001457	7315880080220	7315880080237	8720871001587	7315885551206

## Inside Corner adjust.

Adjustable internal corner with 80 mm front opening. To be used to fit together two trunking bases that form a certain angle. Dimension: 120/65/115 mm. Material: Steel.



Colour	White RAL9003	White RAL9010	White RAL1013	Black RAL9017	Unpainted
Ref.nr.	STA550025	INS5551303	INS5551302	STA550092	INS5551300
EAN Code	8720871001495	7315880080282	7315880080299	8720871001624	8720871001686

## Outside Corner kit

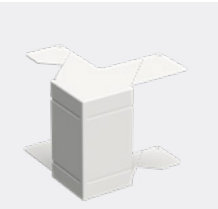
Outside corner with 80 mm front opening, mm. kit including sheet steel front cover. Can be divided into compartments by cable shelves. Dimension: 120/65/200 mm. Material: Steel.



Colour	White RAL9003	White RAL9010	White RAL1013	Black RAL9017	Unpainted
Ref.nr.	STA550024	INS5551403	INS5551402	STA550091	INS5551400
EAN Code	8720871001488	7315880080169	7315880080176	8720871001617	7315885551404

## Universal Corner

Universal corner. Can be used both as internal and external corner. Dimension: 120/65 /145 mm. Material: Steel.



Colour	White RAL9003	White RAL9010	White RAL1013	Black RAL9017	Unpainted
Ref.nr.	STA550020	INS5551101	INS5551104	STA550087	INS5551105
EAN Code	8720871001440	7315880113607	7315880113614	8720871001570	7315880113621
				STA550174	
				8720871001723	

## L-piece kit rise/drop

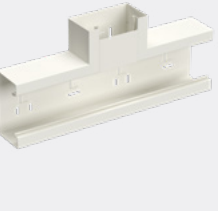
90° bend with 80 mm front opening. Kit including sheet steel front cover of 225 mm length. Can be divided into compartments by cable shelves. Available as riser or dropper. Dimension: 250/65/250 mm. Material: Steel.



Colour	White RAL9003	White RAL9010	White RAL1013	Black RAL9017	Unpainted
Ref.nr.	STA550026	INS5551503	INS5551502	STA550093	STA550173
EAN Code	8720871001501	7315880080343	7315880080350	8720871001631	8720871001716

## T-piece kit

T-piece kit including sheet steel front cover. With 80 mm front opening and integrated flanges that must be bent up to a 90° angle before assembly. Can be divided into compartments by cable shelves. Dimensions: 120/65/400 mm. Material: Steel.



Colour	White RAL9003	White RAL9010	White RAL1013	Black RAL9017	Unpainted
Ref.nr.	STA550022	INS5551603	INS5551602	STA550089	INS5551600
EAN Code	8720871001464	7315880080435	7315880080442	8720871001594	8720871001693

## End Piece

Stop end intended to cover the ends of the trunking base. Dimension: 120/65/10 mm. Material: Steel.



Colour	White RAL9003	White RAL9010	White RAL1013	Black RAL9017	Unpainted
Ref.nr.	STA550027	INS5551803	INS5551802	STA550094	INS5551800
EAN Code	8720871001518	7315880080558	7315880080565	8720871001648	7315885551800

## Branching piece, up, assym

Asymmetrical branching piece, used for connection of feeder trunking 170x40 mm to the trunking base. Available as upward. Dimensions: 120/65/400 mm. Material: Steel.



Colour	White RAL9003	White RAL9010	White RAL1013	Black RAL9017	Unpainted
Ref.nr.	STA550028	INS5551703	INS5551702	STA550095	INS5551700
EAN Code	8720871001525	7315880080497	8720871001426	8720871001655	7315885551701

## Cable shelf 65 mm single/ double

Cable shelf, single or double, intended to divide the trunking into compartments. Material: Steel.



Shelf	Single	Double
Ref.nr.	INS5596100	INS5596110
EAN Code	7315885596108	7315885596115
Dimension	19/55/1500 mm	40/45/1500 mm



### Front cover 80 mm

Front cover for the 80 mm front opening. The front cover guarantees equipotential bonding when installed in the trunking base. Dimension: 80/12.7/1500 mm. Material: steel.



Colour	White RAL9003	White RAL9010	White RAL1013	Black RAL9017	Unpainted
Ref.nr.	STA550066	INS5596003	INS5596007	STA550154	INS5596005
EAN Code	8720871002683	7315880097990	7315880098003	8720871002706	7315880097983

### Outlet front cover 100 mm

Outlet front cover kit including two front cover pieces, to be fitted on either side of socket outlets. Dimension: 80/12.7/100 mm. Material: steel.



Colour	White RAL9003	White RAL9010	White RAL1013	Black RAL9017	Unpainted
Ref.nr.	STA550065	INS5596053	INS5596052	STA550155	INS5596050
EAN Code	8720871002676	3606480340789	7315880099192	8720871002713	8720871002744

### Outlet front cover 50 mm

Outlet front cover kit including two front cover pieces, to be fitted on either side of socket outlets. Dimension: 80/12.7/50 mm. Material: steel.



Colour	White RAL9003	White RAL9010	White RAL1013	Black RAL9017	Unpainted
Ref.nr.	STA550067	5595107	STA550170	STA550156	INS5595115
EAN Code	8720871002690	7315880098089	8720871002669	8720871002720	7315880098034

### Jointing piece

Jointing piece intended to joint trunking base parts together and connect them to earth. Provided with punched earthing clips. Dimension: 8/65/60 mm. Material: Stainless steel.



Ref.nr.	INS5596240
EAN Code	7315880080640

### Earth wire 300 mm

Secures the functional earth connection between the different components in the trunking installation. 300 mm long, 2.5mm<sup>2</sup>. Equipped with 6.3mm flat tab cable terminals on both sides, green/yellow.



Ref.nr.	STA520086
EAN Code	7321679003738

### Earthing wire incl. grip-on fixation clips

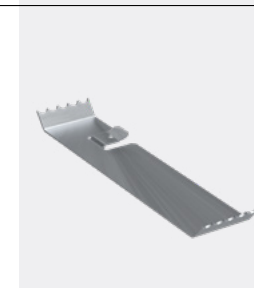
Secures the electrical bonding connection specifically between cable shelves in the steel trunking installation. Equipped with 6.3mm flat tab cable terminals on both sides and grip-on clips, green/yellow.



Ref.nr.	INS5510953
EAN Code	7321679004919

### Earthing clamp cover

For earthing covers shorter than 100 mm. For 80 mm front cover. Dimensions: 79/5/16. Material: stainless steel.



Ref.nr.	5590509
EAN Code	7315880098010

### Wall brackets adjust

Adjustable wall bracket for mounting of trunking at a distance from the wall. Suitable for steel trunking 120/65, 170/65, 170A/65.



Ref.nr.	5583550	5583552	5583554	5583556	5583558
EAN Code	7315885583559	7315880083931	7315880083948	7315880083955	7315880083962
Dimension	162/126/50	162/126/70	162/126/110	162/126/160	162/126/250
Adjst between	50-70 mm	70-110 mm	110-170 mm	160-260 mm	250-400 mm

### Ventilation rib holder

Ventilation rib holder. The ventilation rib installs securely with the included spring clip. Can be cut to length, and adjusted to the number of ventilation ribs installed. Two clips are included. The clip can be purchased as a spare part if lost. Dimension: 15/34/125 mm. Material: PLA plastic, halogen free.



Ref no	STA500057
EAN code	7321679003660

### Ventilation rib jointing piece

Jointing piece for ventilation ribs. Grey colour. Makes for a nicer installation, when joining two ventilation ribs in mid air. Installs from the bottom of the ventilation rib with a click. Dimension: 19/10/100 mm. Material: PLA plastic, halogen free.



Ref no	STA500070
EAN code	7321679003608

### Ventilation rib clip

The clip secures the ventilation rib holder.  
Dimension: 38/22 Ø2 mm. Material: steel.



Ref no	STA500071
EAN code	7321679003400

### Ventilation rib

Ventilation ribs.  
Dimension: 20/10/2500 mm. Material: steel.



Colour	White RAL9003	White RAL9010	Black RAL9017
Ref.nr.	STA550153	INS5590444	STA550152
EAN Code	8720871004717	8720871002652	8720871002751

### Joint Cover piece

Joint cover piece, intended to cover joints between trunking sections.  
Dimension: 120/65/30 mm. Material: steel.



Colour	White RAL9003	White RAL9010	White RAL1013	Black RAL9017	Unpainted
Ref.nr.	STA550029	5595223	5595222	STA550096	STA550175
EAN Code	8720871001532	7315880085072	7315880085065	8720871001662	8720871001730

### Wall Frame

Wall frame to be used to cover a trunking passage through the wall or to make an attractive finish of the trunking against a wall.  
Dimension: 182/96/1.5 mm. Material: steel.



Colour	White RAL9003	White RAL9010	Black RAL9017	Unpainted
Ref.nr.	STA550030	STA550182	STA550097	STA550183
EAN Code	8720871001549	8720871001556	8720871001679	8720871001747

### Wall frame

Wall frame to be used to cover a trunking passage through the wall or to make an attractive finish of the trunking against a wall.  
Dimension: 170/90/10 mm. Material: PVC.



Colour	White RAL9010	White RAL1013
Ref.nr.	INS19161270	INS19161200
EAN Code	8712186019203	8712186019197

### Saw support

Saw support/cutting jig for easy cutting of the trunking length.  
Dimension: 120/65/- mm. Material: Wood.



Ref.nr.	INS5596230
EAN Code	7315885596238



# Stago WGX 130/72

## Trunking Base

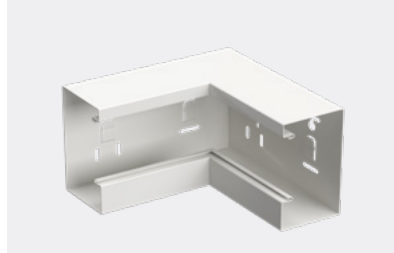
Steel trunking base with 80 mm front opening. Installs on wall or on fixed or adjustable brackets. Can be divided into compartments by cable shelves. Powder coated. Dimension: 130/72/2500 mm. Material: Steel.



Colour	White RAL9003	White RAL9010	Black RAL9017
Ref.nr.	STA550036	INS5552003	STA550103
EAN Code	8720871001792	7315880081128	8720871001921

## Inside Corner

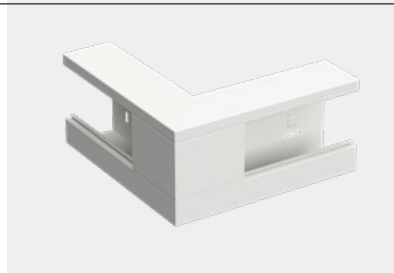
Inside corner with 80 mm front opening. Can be divided into compartments by cable shelves. To be used with sheet steel front cover. Dimension: 130/72/200 mm. Material: Steel.



Colour	White RAL9003	White RAL9010	Black RAL9017
Ref.nr.	STA550037	INS5552203	STA550100
EAN Code	8720871001808	7315880081142	8720871001891

## Outside Corner

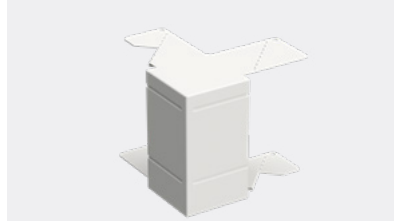
Outside corner with 80 mm front opening, kit including sheet steel front cover. Can be divided into compartments by cable shelves. Dimension: 130/72/200 mm. Material: Steel.



Colour	White RAL9003	White RAL9010	Black RAL9017
Ref.nr.	STA550038	INS5552403	STA550106
EAN Code	8720871001815	7315880081166	8720871001952

## Universal Corner

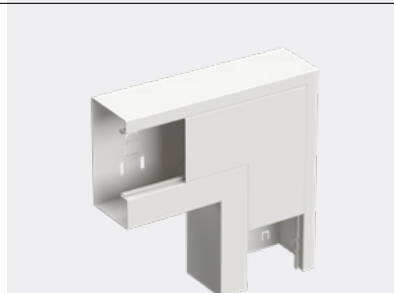
Universal corner. Can be used both as internal and external corner. Dimension: 130/72 /150 mm. Material: Steel.



Colour	White RAL9003	White RAL9010	Black RAL9017
Ref.nr.	STA550031	INS5552123	STA550098
EAN Code	8720871001754	7315885552128	8720871001884

## L-piece kit dropper

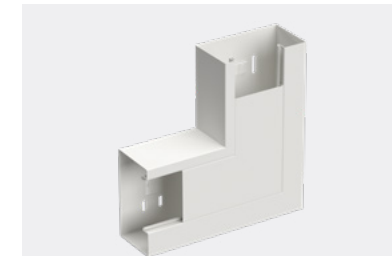
90° bend with 80 mm front opening. Dropper. Kit including sheet steel front cover of 225 mm length. Can be divided into compartments by cable shelves. Dimension: 250/72/250 mm. Material: Steel.



Colour	White RAL9003	White RAL9010	Black RAL9017
Ref.nr.	STA550040	INS5552509	STA550105
EAN Code	8720871001839	7315880081210	8720871001945

## L-piece kit riser

90° bend with 80 mm front opening. Riser. Kit including sheet steel front cover of 225 mm length. Can be divided into compartments by cable shelves. Dimension: 250/72/250 mm. Material: Steel.



Colour	White RAL9003	White RAL9010	Black RAL9017
Ref.nr.	STA550039	INS5552503	STA550104
EAN Code	8720871001822	7315880081180	8720871001938

## T-piece dropper

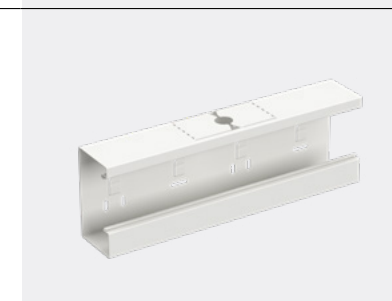
T-piece with 80 mm front opening and integrated flanges that must be bent up to a 90° angle before assembly. Dropper. Can be divided into compartments by cable shelves. To be used with sheet steel front cover. Dimensions: 130/72/400 mm. Material: Steel.



Colour	White RAL9003	White RAL9010	Black RAL9017
Ref.nr.	STA550034	STA550171	STA550102
EAN Code	8720871001778	8720871001860	8720871001914

## T-piece riser

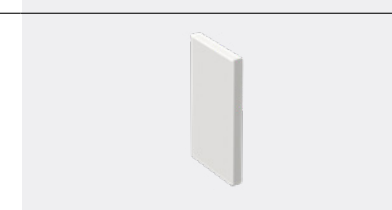
T-piece with 80 mm front opening and integrated flanges that must be bent up to a 90° angle before assembly. Riser. Can be divided into compartments by cable shelves. To be used with sheet steel front cover. Dimensions: 130/72/400 mm. Material: Steel.



Colour	White RAL9003	White RAL9010	Black RAL9017
Ref.nr.	STA550033	INS5552603	STA550101
EAN Code	8720871001761	7315880081234	8720871001907

## End Piece

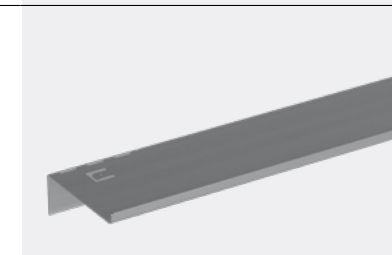
Stop end intended to cover the ends of the trunking base. Dimension: 130/72/11 mm. Material: Steel.



Colour	White RAL9003	White RAL9010	Black RAL9017
Ref.nr.	STA550041	INS5552803	STA550108
EAN Code	8720871001846	7315880081302	8720871001976

## Cable shelf single 72 mm

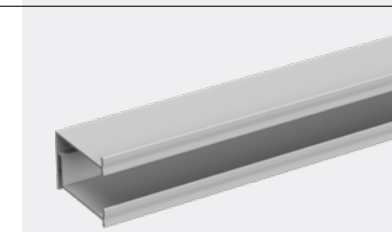
Single cable shelf, intended to divide the trunking into compartments. Dimension: 27/60/1000 mm. Material: steel.



Material	Steel
Ref.nr.	5591740
EAN Code	7315885591745

## Cable shelf double 72 mm

Cable shelf, double, intended to divide the trunking into compartments. Dimension (steel): 41/52/1000 mm. Dimension (PVC): 49/61/500 mm.



Material	Steel	PVC
Ref.nr.	5591743	5591720
EAN Code	7315880113362	7315885591721

## Front cover 80 mm

Front cover for the 80 mm front opening. The front cover guarantees equipotential bonding when installed in the trunking base. Dimension: 80/12.7/1500 mm. Material: steel.



Colour	White RAL9003	White RAL9010	Black RAL9017
Ref.nr.	STA550066	INS5596003	STA550154
EAN Code	8720871002683	7315880097990	8720871002706

## Outlet front cover 100 mm

Outlet front cover kit including two front cover pieces, to be fitted on either side of socket outlets. Dimension: 80/12.7/100 mm. Material: steel.



Colour	White RAL9003	White RAL9010	Black RAL9017
Ref.nr.	STA550065	INS5596053	STA550155
EAN Code	8720871002676	3606480340789	8720871002713

### Outlet front cover 50 mm

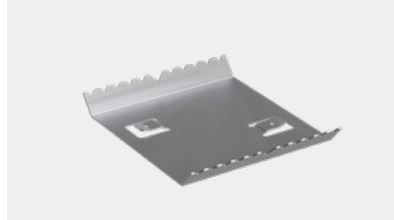
Outlet front cover kit including two front cover pieces, to be fitted on either side of socket outlets. Dimension: 80/12.7/50 mm. Material: steel.



Colour	White RAL9003	White RAL9010	Black RAL9017
Ref.nr.	STA550067	5595107	STA550156
EAN Code	7321679002690	7315880098089	8720871002720

### Jointing piece

Joint piece, intended to joint trunking base parts together and connect them to earth between trunking sections. Dimension: 60/71/7 mm. Material: steel.



Ref.nr.	5590935
EAN Code	7315880066026

### Earth wire 300 mm

Secures the functional earth connection between the different components in the trunking installation. 300 mm long, 2.5mm<sup>2</sup>. Equipped with 6.3mm flat tab cable terminals on both sides, green/yellow.



Ref.nr.	STA520086
EAN Code	7321679003738

### Earthing wire incl. grip-on fixation clips

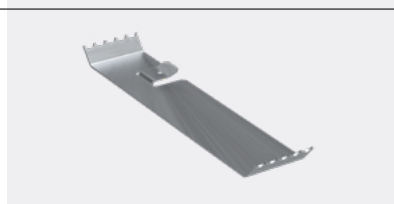
Secures the electrical bonding connection specifically between cable shelves in the steel trunking installation, Equipped with 6.3mm flat tab cable terminals on both sides and grip-on clips, green/yellow.



Ref.nr.	INS5510953
EAN Code	7321679004919

### Earthing clamp cover

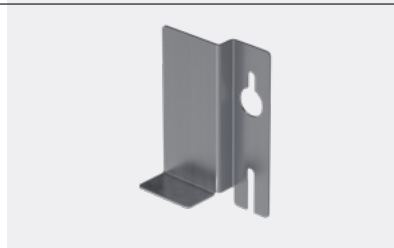
For earthing covers shorter than 100 mm. For 80 mm front cover. Dimensions: 79/5/16. Material: stainless steel.



Ref.nr.	5590509
EAN Code	7315880098010

### Wall bracket fixed Low

Fixed depth wall brackets for mounting at a distance from the wall. Low for up to 130 mm trunking. Two self-drilling screws are included to each product. Material: Steel, unpainted.



Ref.nr.	INS55015	INS55035
EAN Code	3606489420543	3606489420550
Dimension	120/80/15 mm	120/80/35 mm

### Wall brackets adjust Low

Adjustable wall bracket for mounting of trunking at a distance from the wall. For 110 and 130 mm high trunking. Material: steel.



Ref.nr.	5583510	5583512	5583514
EAN Code	7315885583511	7315880078647	7315880078654
Dimension	162/126/50	162/126/110	162/126/170
Adjst between	50-70 mm	70-110 mm	110-170 mm

Ref.nr.	5583516
EAN Code	7315880078661
Dimension	162/126/160
Adjst between	160-260 mm

### Ventilation rib holder

Ventilation rib holder. The ventilation rib installs securely with the included spring clip. Can be cut to length, and adjusted to the number of ventilation ribs installed. Two clips are included. The clip can be purchased as a spare part if lost. Dimension: 15/34/125 mm. Material: PLA plastic, halogen free.



Ref no	STA500057
EAN code	7321679003660

### Ventilation rib jointing piece

Jointing piece for ventilation ribs. Grey colour. Makes for a nicer installation, when joining two ventilation ribs in mid air. Installs from the bottom of the ventilation rib with a click. Dimension: 19/10/100 mm. Material: PLA plastic, halogen free.



Ref no	STA500070
EAN code	7321679003608

### Ventilation rib clip

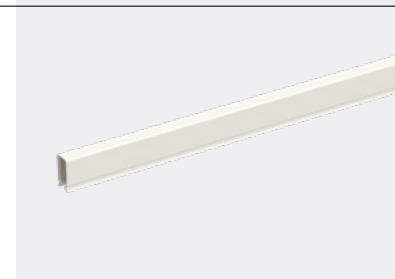
The clip secures the ventilation rib holder. Dimension: 38/22 Ø2 mm. Material: steel.



Ref no	STA500071
EAN code	7321679003400

### Ventilation rib

Ventilation ribs. Dimension: 20/10/2500 mm. Material: steel.



Colour	White RAL9003	White RAL9010	Black RAL9017
Ref.nr.	STA550153	INS5590444	STA550152
EAN Code	8720871004717	8720871002652	8720871002751

### Joint Cover piece

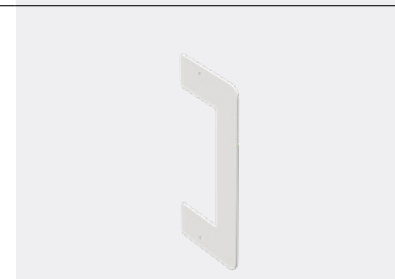
Joint cover piece, intended to cover joints between trunking sections. Dimension: 130/72/30 mm. Material: Steel.



Colour	White RAL9003	White RAL9010	Black RAL9017
Ref.nr.	STA550042	5595243	STA550107
EAN Code	8720871001853	7315880085102	8720871001969

### Wall Frame

Wall frame to be used to cover a trunking passage through the wall or to make an attractive finish of the trunking against a wall. Dimension: 192/103/1.5 mm. Material: Steel.



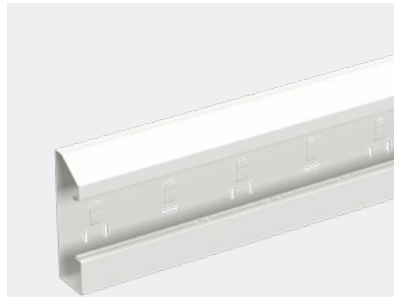
Colour	White RAL9003	White RAL9010	Black RAL9017
Ref.nr.	STA550035	STA550184	STA550109
EAN Code	8720871001785	8720871001877	8720871001983



# Stago WGX 165V/52

## Trunking Base

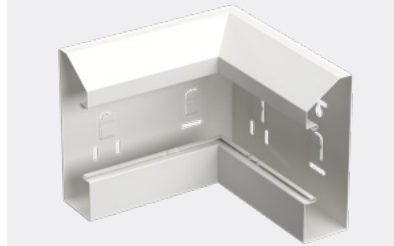
Steel trunking base with 80 mm front opening. Installs on wall or on fixed or adjustable brackets. Can be divided into compartments by cable shelves. Powder coated. Dimension: 165/52/2500 mm. Material: Steel.



Colour	White RAL9003	White RAL9010	Black RAL9017
Ref.nr.	STA550045	INS5554003	STA550112
EAN Code	8720871002010	7315880081524	8720871002096

## Inside Corner

Inside corner with 80 mm front opening. Can be divided into compartments by cable shelves. To be used with sheet steel front cover. Dimension: 165/52/200 mm. Material: Steel.



Colour	White RAL9003	White RAL9010	Black RAL9017
Ref.nr.	STA550043	INS5554203	STA550110
EAN Code	8720871001990		8720871002072

## Outside Corner

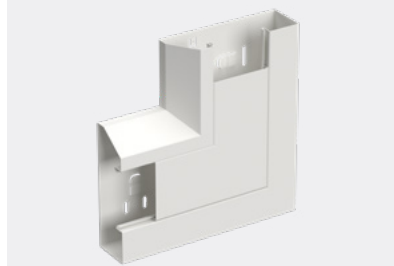
Outside corner with 80 mm front opening, kit including sheet steel front cover. Can be divided into compartments by cable shelves. Dimension: 165/52/200 mm. Material: Steel.



Colour	White RAL9003	White RAL9010	Black RAL9017
Ref.nr.	STA550047	INS5554403	STA550114
EAN Code	8720871002034	7315880081562	8720871002119

## L-piece kit riser

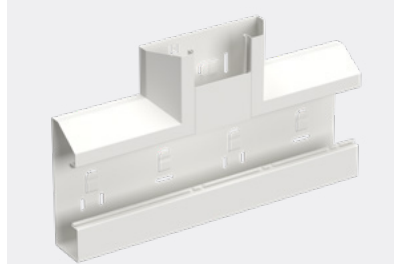
90° bend with 80 mm front opening. Riser. Kit including sheet steel front cover of 225 mm length. Can be divided into compartments by cable shelves. Dimension: 250/52/250 mm. Material: Steel.



Colour	White RAL9003	White RAL9010	Black RAL9017
Ref.nr.	STA550046	INS5554503	STA550113
EAN Code	8720871002027	3606480340611	8720871002102

## T-piece kit

T-piece kit including sheet steel front cover. With 80 mm front opening and integrated flanges that must be bent up to a 90° angle before assembly. Can be divided into compartments by cable shelves. 165/52/400 mm. Material: Steel.



Colour	White RAL9003	White RAL9010	Black RAL9017
Ref.nr.	STA550044	INS5554603	STA550111
EAN Code	8720871002003	3606480340635	8720871002089

## End piece left

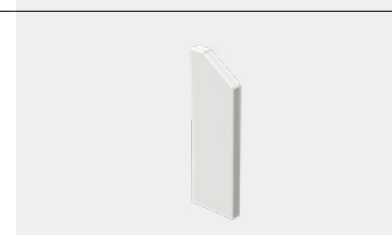
Stop end intended to cover the ends of the trunking base. Left. Dimension: 165/52/11 mm. Material: Steel.



Colour	White RAL9003	White RAL9010	Black RAL9017
Ref.nr.	STA550049	INS5554803	STA550116
EAN Code	8720871002058	3606480340659	8720871002133

## End piece right

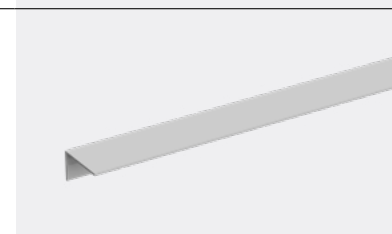
Stop end intended to cover the ends of the trunking base. Right. Dimension: 165/52/11 mm. Material: Steel.



Colour	White RAL9003	White RAL9010	Black RAL9017
Ref.nr.	STA550050	INS5554808	STA550117
EAN Code	8720871002065	3606480340666	8720871002140

## Cable shelf single 52 mm

Single cable shelf, intended to divide the trunking into compartments. Dimension: 27/40/1000. Material: steel.



Material	Steel
Ref.nr.	5591730
EAN Code	7315880113355

## Cable shelf double 52 mm

Cable shelf, double, intended to divide the trunking into compartments. Dimension: 41/33/1000 mm. Material: steel.



Material	Steel
Ref.nr.	5591733
EAN Code	7315885591738

## Front cover 80 mm

Front cover for the 80 mm front opening. The front cover guarantees equipotential bonding when installed in the trunking base. Dimension: 80/12.7/1500 mm. Material: steel.



Colour	White RAL9003	White RAL9010	Black RAL9017
Ref.nr.	STA550066	INS5596003	STA550154
EAN Code	8720871002683	7315880097990	8720871002706

## Outlet front cover 100 mm

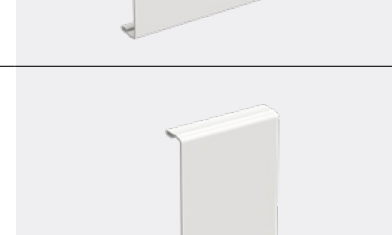
Outlet front cover kit including two front cover pieces, to be fitted on either side of socket outlets. Dimension: 80/12.7/100 mm. Material: steel.



Colour	White RAL9003	White RAL9010	Black RAL9017
Ref.nr.	STA550065	INS5596053	STA550155
EAN Code	8720871002676	3606480340789	8720871002713

## Outlet front cover 50 mm

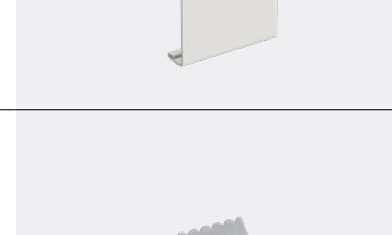
Outlet front cover kit including two front cover pieces, to be fitted on either side of socket outlets. Dimension: 80/12.7/50 mm. Material: steel.



Colour	White RAL9003	White RAL9010	Black RAL9017
Ref.nr.	STA550067	5595107	STA550156
EAN Code	8720871002690	7315880098089	8720871002720

## Jointing piece

Joint piece, intended to joint trunking base parts together and connect them to earth between trunking sections. Dimension: 60/51/7 mm. Material: steel.



Ref.nr.	5590930	5590950
EAN Code	7315885590939	7315885590953

### Joint Cover piece

Joint cover piece, intended to cover joints between trunking sections.  
Dimension: 165/52/30 mm. Material: steel.



Colour	White RAL9003	White RAL9010	Black RAL9017
Ref.nr.	STA550048	5595263	STA550115
EAN Code	8720871002041	7315880085171	8720871002126

### Earth wire 300 mm

Secures the functional earth connection between the different components in the trunking installation. 300 mm long, 2.5mm<sup>2</sup>. Equipped with 6.3mm flat tab cable terminals on both sides, green/yellow.



Ref.nr.	STA520086
EAN Code	7321679003738

### Earthing wire incl. grip-on fixation clips

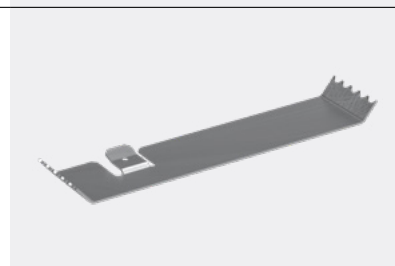
Secures the electrical bonding connection specifically between cable shelves in the steel trunking installation. Equipped with 6.3mm flat tab cable terminals on both sides and grip-on clips, green/yellow.



Ref.nr.	INS5510953
EAN Code	7321679004919

### Earthing clamp cover

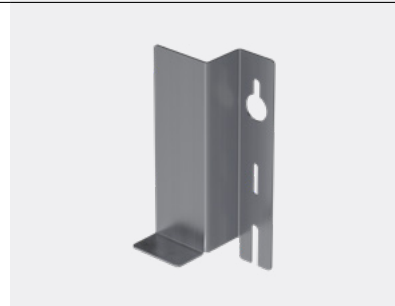
For earthing covers shorter than 100 mm. For 80 mm front cover. Dimensions: 79/5/16. Material: stainless steel.



Ref.nr.	5590509
EAN Code	7315880098010

### Wall bracket fixed High

Fixed depth wall brackets for mounting at a distance from the wall. High for trunking higher than 130 mm. Two self-drilling screws are included to each product. Material: Steel, unpainted.



Ref.nr.	INS55016	INS55036
EAN Code	3606489513610	3606489513627
Dimension	120/80/15 mm	120/80/35 mm

### Wall brackets adjust High

Adjustable wall bracket for mounting of trunking at a distance from the wall. For trunking higher than 130 mm. Material: steel.



Ref.nr.	5583530	5583532	5583534
EAN Code	7315885583535	7315880078685	7315880078692
Dimension	102/126/50	102/126/70	102/126/110
Adjst between	50-70 mm	70-110 mm	110-170 mm
Ref.nr.	5583536		
EAN Code	7315880078708		
Dimension	102/126/160		
Adjst between	160-260 mm		



### Ventilation rib holder

Ventilation rib holder. The ventilation rib installs securely with the included spring clip. Can be cut to length, and adjusted to the number of ventilation ribs installed. Two clips are included. The clip can be purchased as a spare part if lost. Dimension: 15/34/125 mm. Material: PLA plastic, halogen free.



Ref no	STA500057
EAN code	7321679003660

### Ventilation rib jointing piece

Jointing piece for ventilation ribs. Grey colour. Makes for a nicer installation, when joining two ventilation ribs in mid air. Installs from the bottom of the ventilation rib with a click. Dimension: 19/10/100 mm. Material: PLA plastic, halogen free.



Ref no	STA500070
EAN code	7321679003608

### Ventilation rib clip

The clip secures the ventilation rib holder. Dimension: 38/22 Ø2 mm. Material: steel.



Ref no	STA500071
EAN code	7321679003400

### Ventilation rib

Ventilation ribs. Dimension: 20/10/2500 mm. Material: steel.



Colour	White RAL9003	White RAL9010	Black RAL9017
Ref.nr.	STA550153	INS5590444	STA550152
EAN Code	8720871004717	8720871002652	8720871002751



One system  
engineered from  
the ground up

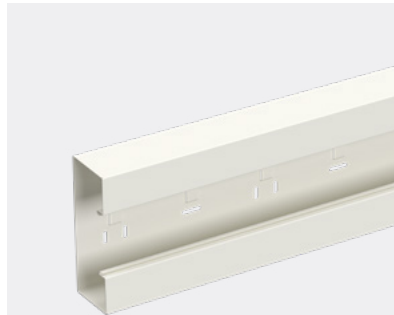




# Stago WGX 170/65

## Trunking Base

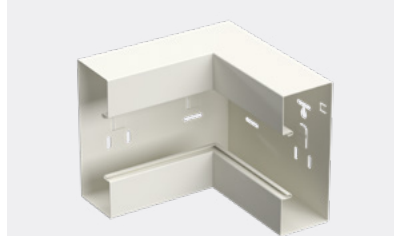
Steel trunking base with 80 mm front opening. Installs on wall or on fixed or adjustable brackets. Can be divided into compartments by cable shelves. Powder coated. Dimension: 170/65/3000 mm. Material: Steel.



Colour	White RAL9010	Black RAL9017
Ref.nr.	INS5553003	STA550121
EAN Code	7315880080060	8720871002195

## Inside Corner

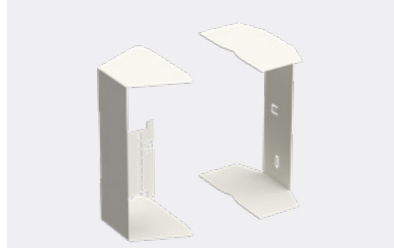
Inside corner with 80 mm front opening. Can be divided into compartments by cable shelves. To be used with sheet steel front cover. Dimension: 170/65/200 mm. Material: Steel.



Colour	White RAL9010	Black RAL9017
Ref.nr.	INS5553203	STA550119
EAN Code	7315880080244	8720871002171

## Inside Corner adjust

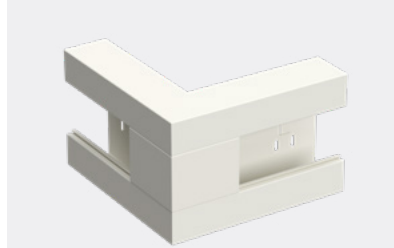
Adjustable internal corner with 80 mm front opening. To be used to fit together two trunking bases that form a certain angle. Dimension: 170/65/115 mm. Material: Steel.



Colour	White RAL9010	Black RAL9017
Ref.nr.	INS5553303	STA550124
EAN Code	7315880080305	8720871002225

## Outside Corner kit

Outside corner with 80 mm front opening, kit including sheet steel front cover. Can be divided into compartments by cable shelves. Dimension: 170/65/200 mm. Material: Steel.



Colour	White RAL9010	Black RAL9017
Ref.nr.	INS5553403	STA550123
EAN Code	7315880080183	8720871002218

## Universal Corner

Universal corner. Can be used both as internal and external corner. Dimension: 170/65/145 mm. Material: Steel.



Colour	White RAL9010	Black RAL9017
Ref.nr.	INS5553109	STA550118
EAN Code	7315880113706	8720871002164

## L-piece kit rise/drop

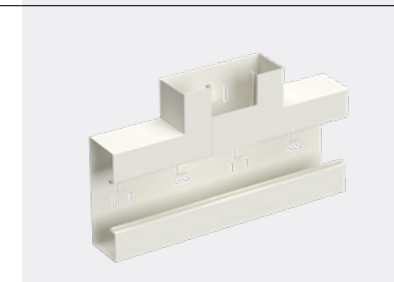
90° bend with 80 mm front opening. Kit including sheet steel front cover of 225 mm length. Can be divided into compartments by cable shelves. Available as riser or dropper. Dimension: 250/65/250 mm. Material: Steel.



Colour	White RAL9010	Black RAL9017
Ref.nr.	INS5553503	STA550122
EAN Code	7315880080367	8720871002201

## T-piece kit

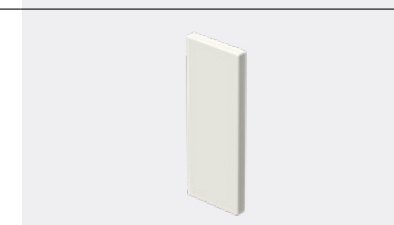
T-piece kit including sheet steel front cover. With 80 mm front opening and integrated flanges that must be bent up to a 90° angle before assembly. Can be divided into compartments by cable shelves. 170/65/400 mm. Material: Steel.



Colour	White RAL9010	Black RAL9017
Ref.nr.	INS5553603	STA550120
EAN Code	3606480340468	8720871002188

## End piece

Stop end intended to cover the ends of the trunking base. Dimension: 170/65/10 mm. Material: Steel.



Colour	White RAL9010	Black RAL9017
Ref.nr.	INS5553803	STA550126
EAN Code	3606480340536	8720871002249

## Cable shelf 65 mm single/double

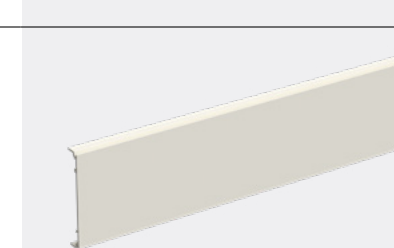
Cable shelf, single or double, intended to divide the trunking into compartments. Material: Steel.



Shelf	Single	Double
Ref.nr.	INS5596100	INS5596110
EAN Code	7315885596108	7315885596115
Dimension	19/55/1500 mm	40/45/1500 mm

## Front cover 80 mm

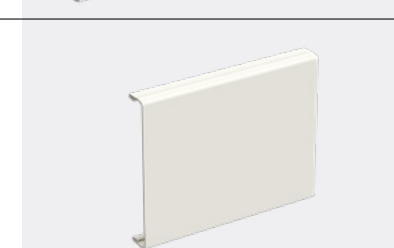
Front cover for the 80 mm front opening. The front cover guarantees equipotential bonding when installed in the trunking base. Dimension: 80/12.7/1500 mm. Material: steel.



Colour	White RAL9010	Black RAL9017
Ref.nr.	INS5596003	STA550154
EAN Code	7315880097990	8720871002706

## Outlet front cover 100 mm

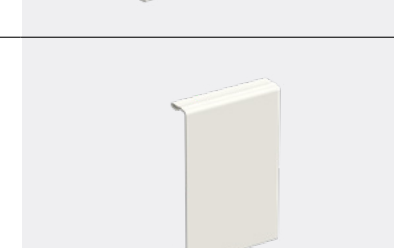
Outlet front cover kit including two front cover pieces, to be fitted on either side of socket outlets. Dimension: 80/12.7/100 mm. Material: steel.



Colour	White RAL9010	Black RAL9017
ref nr	INS5596053	STA550155
EAN Code	3606480340789	8720871002713

## Outlet front cover 50 mm

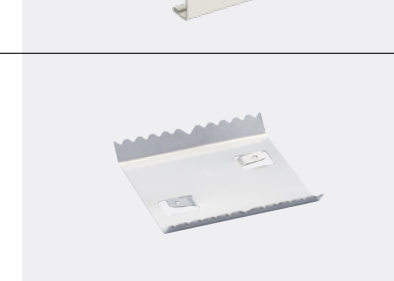
Outlet front cover kit including two front cover pieces, to be fitted on either side of socket outlets. Dimension: 80/12.7/50 mm. Material: steel.



Colour	White RAL9010	Black RAL9017
ref nr	5595107	STA550156
EAN Code	7315880098089	8720871002720

## Jointing piece

Jointing piece intended to joint trunking base parts together and connect them to earth. Provided with punched earthing clips. Dimension: 8/65/60 mm. Material: Stainless steel.



Colour	Unpainted
Ref.nr.	INS5596240
EAN Code	7315880080640



### Earth wire 300 mm

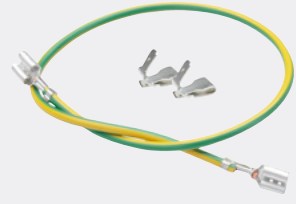
Secures the functional earth connection between the different components in the trunking installation. 300 mm long, 2.5mm<sup>2</sup>. Equipped with 6.3mm flat tab cable terminals on both sides, green/yellow.



Ref.nr. STA520086  
EAN Code 7321679003738

### Earthing wire incl. grip-on fixation clips

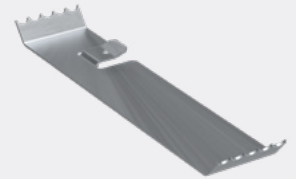
Secures the electrical bonding connection specifically between cable shelves in the steel trunking installation. Equipped with 6.3mm flat tab cable terminals on both sides and grip-on clips, green/yellow.



Ref.nr. INS5510953  
EAN Code 7321679004919

### Earthing clamp cover

For earthing covers shorter than 100 mm. For 80 mm front cover. Dimensions: 79/5/16. Material: stainless steel.



Ref.nr. 5590509  
EAN Code 7315880098010

### Wall bracket fixed High

Fixed depth wall brackets for mounting at a distance from the wall. High for trunking higher than 130 mm. Two self-drilling screws are included to each product. Material: Steel, unpainted.



Ref.nr.	INS55016	INS55036
EAN Code	3606489513610	3606489513627
Dimension	120/80/15 mm	120/80/35 mm

### Wall brackets adjust

Adjustable wall bracket for mounting of trunking at a distance from the wall. Suitable for steel trunking 120/65, 170/65, 170A/65.



Ref.nr.	5583550	5583552	5583554
EAN Code	7315885583559	7315880083931	7315880083948
Dimension	162/126/50	162/126/70	162/126/110
Adjst between	50-70 mm	70-110 mm	110-170 mm

Ref.nr.	5583556	5583558
EAN Code	7315880083955	7315880083962
Dimension	162/126/160	162/126/250
Adjst between	160-260 mm	250-400 mm

### Ventilation rib holder

Ventilation rib holder. The ventilation rib installs securely with the included spring clip. Can be cut to length, and adjusted to the number of ventilation ribs installed. Two clips are included. The clip can be purchased as a spare part if lost. Dimension: 15/34/125 mm. Material: PLA plastic, halogen free.



Ref no STA500057  
EAN code 7321679003660

### Ventilation rib jointing piece

Jointing piece for ventilation ribs. Grey colour. Makes for a nicer installation, when joining two ventilation ribs in mid air. Installs from the bottom of the ventilation rib with a click. Dimension: 19/10/100 mm. Material: PLA plastic, halogen free.



Ref no STA500070  
EAN code 7321679003608

### Ventilation rib clip

The clip secures the ventilation rib holder. Dimension: 38/22 Ø2 mm. Material: steel.



Ref no STA500071  
EAN code 7321679003400

### Ventilation rib

Ventilation ribs. Dimension: 20/10/2500 mm. Material: steel.



Colour	White RAL9010	Black RAL9017
Ref.nr.	INS5590444	STA550152
EAN Code	8720871002652	8720871002751

### Wall frame

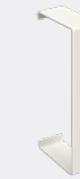
Wall frame to be used to cover a trunking passage through the wall or to make an attractive finish of the trunking against a wall. Dimension: 220/90/10 mm. Material: PVC.



Colour	White RAL9010	White RAL1013
Ref.nr.	INS19161770	INS19161700
EAN Code	8712186019265	8712186019258

### Joint Cover piece

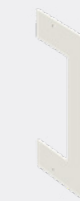
Joint cover piece, intended to cover joints between trunking sections. Dimension: 170/65/30 mm. Material: steel.



Colour	White RAL9010	Black RAL9017
Ref.nr.	5595303	STA550125
EAN Code	7315880085232	8720871002232

### Wall Frame

Wall frame to be used to cover a trunking passage through the wall or to make an attractive finish of the trunking against a wall. Dimension: 232/96/1.5 mm. Material: steel.



Colour	White RAL9010	Black RAL9017
Ref.nr.	STA550185	STA550128
EAN Code	8720871002157	8720871002263

### Saw support

Saw support/cutting jig for easy cutting of the trunking length. Dimension: 170/65/- Material: Wood.



Ref.nr. INS5596231  
EAN Code 7315880080626

# Stago WGX 170A/65

## Trunking Base

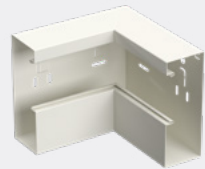
Steel trunking base with 80 mm front opening. Installs on wall or on fixed or adjustable brackets. Can be divided into compartments by cable shelves. Powder coated. Dimension: 170/65/3000 mm. Material: Steel.



Colour	White RAL9010	Black RAL9017
Ref.nr.	INS5553013	STA550131
EAN Code	7315880080084	8720871002300

## Inside Corner

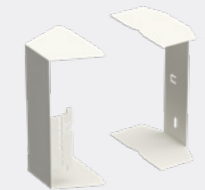
Inside corner with 80 mm front opening. Can be divided into compartments by cable shelves. To be used with sheet steel front cover. Dimension: 170/65/200 mm. Material: Steel.



Colour	White RAL9010	Black RAL9017
Ref.nr.	INS5553213	STA550129
EAN Code	7315880080268	8720871002287

## Inside Corner adjust

Adjustable internal corner with 80 mm front opening. To be used to fit together two trunking bases that form a certain angle. Dimension: 170/65/115 mm. Material: Steel.



Colour	White RAL9010	Black RAL9017
Ref.nr.	INS5553313	STA550137
EAN Code	7315880080329	8720871002362

## Outside Corner kit

Outside corner with 80 mm front opening, kit including sheet steel front cover. Can be divided into compartments by cable shelves. Dimension: 170/65/200 mm. Material: Steel.



Colour	White RAL9010	Black RAL9017
Ref.nr.	INS5553413	STA550136
EAN Code	7315880080206	8720871002355

## Universal Corner

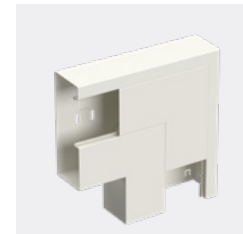
Universal corner. Can be used both as internal and external corner. Dimension: 170/65/145 mm. Material: Steel.



Colour	White RAL9010	Black RAL9017
Ref.nr.	INS5553102	STA550138
EAN Code	7315880113676	8720871002379

## L-piece kit dropper

90° bend with 80 mm front opening. Dropper. Kit including sheet steel front cover of 225 mm length. Can be divided into compartments by cable shelves. Dimension: 250/65/250 mm. Material: Steel.



Colour	White RAL9010	Black RAL9017
Ref.nr.	INS5553519	STA550133
EAN Code	7315880080411	8720871002324

## L-piece kit riser

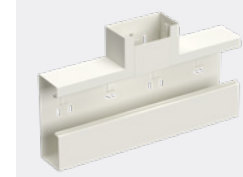
90° bend with 80 mm front opening. Riser. Kit including sheet steel front cover of 225 mm length. Can be divided into compartments by cable shelves. Dimension: 250/65/250 mm. Material: Steel.



Colour	White RAL9010	Black RAL9017
Ref.nr.	INS5553513	STA550132
EAN Code	7315880080381	8720871002317

## T-piece kit

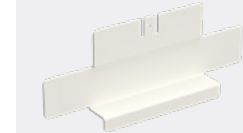
T-piece kit including sheet steel front cover. With 80 mm front opening and integrated flanges that must be bent up to a 90° angle before assembly. Can be divided into compartments by cable shelves. 170/65/400 mm. Material: Steel.



Colour	White RAL9010	Black RAL9017
Ref.nr.	INS5553613	STA550130
EAN Code	3606480340475	8720871002294

## Universal T-piece 120

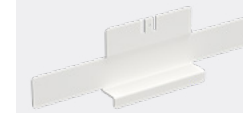
Universal T-piece suitable for horizontal trunking 170A and vertical trunking 120 or 170, when used as a feeder. Dimension: 48/16/120 mm. Material: steel.



Colour	White RAL9003	White RAL9010	Black RAL9017
Ref.nr.	STA550019	INS38050074	STA550086
EAN Code	'8720871001433	8712186108983	8720871001563

## Universal T-piece 170

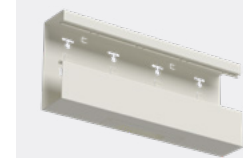
Universal T-piece suitable for horizontal trunking 170A and vertical trunking 120 or 170, when used as a feeder. Dimension: 48/16/120mm. Material: steel.



Colour	White RAL9010	Black RAL9017
Ref.nr.	INS38051774	STA550151
EAN Code	8712186109102	8720871001037

## Branching piece down asym

Asymmetrical branching piece, used for connection of feeder trunking 170x40 mm to the trunking base. Available as downward. Dimensions: 170/65/400 mm. Material: Steel.



Colour	White RAL9010	Black RAL9017
Ref.nr.	INS5553719	STA550135
EAN Code	7315880080664	8720871002348

## Branching Piece up asym

Asymmetrical branching piece, used for connection of feeder trunking 170x40 mm to the trunking base. Available as upward. Dimensions: 170/65/400 mm. Material: Steel.



Colour	White RAL9010	Black RAL9017
Ref.nr.	INS5553713	STA550134
EAN Code	3606480340505	8720871002331

## Cable shelf 65 mm single/double

Cable shelf, single or double, intended to divide the trunking into compartments. Material: Steel.

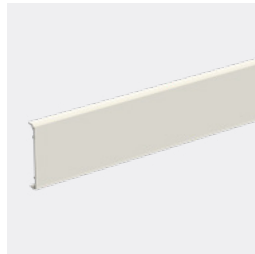


Shelf	Single	Double
Ref.nr.	INS5596100	INS5596110
EAN Code	7315885596108	7315885596115
Dimension	19/65/1500	40/45/1500



### Front cover 80 mm

Front cover for the 80 mm front opening. The front cover guarantees equipotential bonding when installed in the trunking base. Dimension: 80/12.7/1500 mm. Material: steel.



Colour	White RAL9010	Black RAL9017
Ref.nr.	INS5596003	STA550154
EAN Code	7315880097990	8720871002706

### Outlet front cover 100 mm

Outlet front cover kit including two front cover pieces, to be fitted on either side of socket outlets. Dimension: 80/12.7/100 mm. Material: steel.



Colour	White RAL9010	Black RAL9017
Ref.nr.	INS5596053	STA550155
EAN Code	3606480340789	8720871002713

### Outlet front cover 50 mm

Outlet front cover kit including two front cover pieces, to be fitted on either side of socket outlets. Dimension: 80/12.7/50 mm. Material: steel.



Colour	White RAL9010	Black RAL9017
Ref.nr.	5595107	STA550156
EAN Code	7315880098089	8720871002720

### Jointing piece

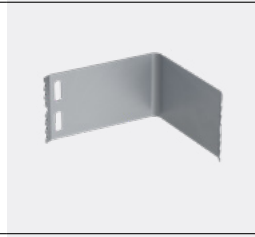
Jointing piece intended to joint trunking base parts together and connect them to earth. Provided with punched earthing clips. Dimension: 8/65/60 mm. Material: steel.



Colour	Unpainted
Ref.nr.	INS5596240
EAN Code	7315880080640

### Jointing piece

Jointing piece intended to joint trunking base parts together and connect them to earth. Provided with punched earthing clips. Dimension: 69/38/63 mm. Material: Steel.



Colour	Unpainted
Ref.nr.	INS5596241
EAN Code	7315885596245

### Earth wire 300 mm

Secures the functional earth connection between the different components in the trunking installation. 300 mm long, 2.5mm<sup>2</sup>. Equipped with 6.3mm flat tab cable terminals on both sides, green/yellow.



Ref.nr.	STA520086
EAN Code	7321679003738

### Earthing wire incl. grip-on fixation clips

Secures the electrical bonding connection specifically between cable shelves in the steel trunking installation, Equipped with 6.3mm flat tab cable terminals on both sides and grip-on clips, green/yellow.



Ref.nr.	INS5510953
EAN Code	7321679004919

### Earthing clamp cover

For earthing covers shorter than 100 mm. For 80 mm front cover. Dimensions: 79/5/16. Material: stainless steel.



Ref.nr.	5590509
EAN Code	7315880098010

### Wall bracket fixed High

Fixed depth wall brackets for mounting at a distance from the wall. High for trunking higher than 130 mm. Two self-drilling screws are included to each product. Material: Steel, unpainted.



Ref.nr.	INS55016	INS55036
EAN Code	3606489513610	3606489513627
Dimension	120/80/15 mm	120/80/35 mm

### Wall brackets adjust

Adjustable wall bracket for mounting of trunking at a distance from the wall. Suitable for steel trunking 120/65, 170/65, 170A/65. Material: steel.



Ref.nr.	5583550	5583552	5583554
EAN Code	7315885583559	7315880083931	7315880083948
Dimension	162/126/50	162/126/70	162/126/110
Adjst between	50-70 mm	70-110 mm	110-170 mm

Ref.nr.	5583556	5583558
EAN Code	7315880083955	7315880083962
Dimension	162/126/160	162/126/250
Adjst between	160-260 mm	250-400 mm

### Ventilation rib

Ventilation ribs. Dimension: 20/10/2500 mm. Material: steel.



Colour	White RAL9010	Black RAL9017
Ref.nr.	INS5590444	STA550152
EAN Code	8720871002652	8720871002751

### Wall frame

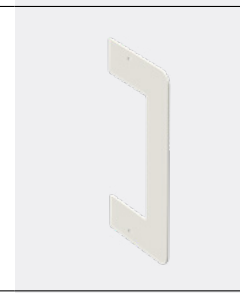
Wall frame to be used to cover a trunking passage through the wall or to make an attractive finish of the trunking against a wall. Dimension: 220/90/10 mm. Material: PVC.



Colour	White RAL9010	White RAL9013
Ref.nr.	INS19161770	INS19161700
EAN Code	8712186019265	8712186019258

### Wall Frame

Wall frame to be used to cover a trunking passage through the wall or to make an attractive finish of the trunking against a wall. Dimension: 220/90/10 mm. Material: steel.



Colour	White RAL9010	Black RAL9017
Ref.nr.	STA550185	STA550128
EAN Code	8720871002157	8720871002263

### Joint Cover piece

Joint cover piece, intended to cover joints between trunking sections. Dimension: 170/65/30 mm. Material: steel.



Colour	White RAL9010	Black RAL9017
Ref.nr.	5595303	STA550125
EAN Code	7315880085232	8720871002232

### Ventilation rib holder

Ventilation rib holder. The ventilation rib installs securely with the included spring clip. Can be cut to length, and adjusted to the number of ventilation ribs installed. Two clips are included. The clip can be purchased as a spare part if lost. Dimension: 15/34/125 mm. Material: PLA plastic, halogen free.



Ref no STA500057  
EAN code 7321679003660

### Ventilation rib jointing piece

Jointing piece for ventilation ribs. Grey colour. Makes for a nicer installation, when joining two ventilation ribs in mid air. Installs from the bottom of the ventilation rib with a click. Dimension: 19/10/100 mm. Material: PLA plastic, halogen free.



Ref no STA500070  
EAN code 7321679003608

### Ventilation rib clip

The clip secures the ventilation rib holder. Dimension: 38/22 Ø2 mm. Material: steel.



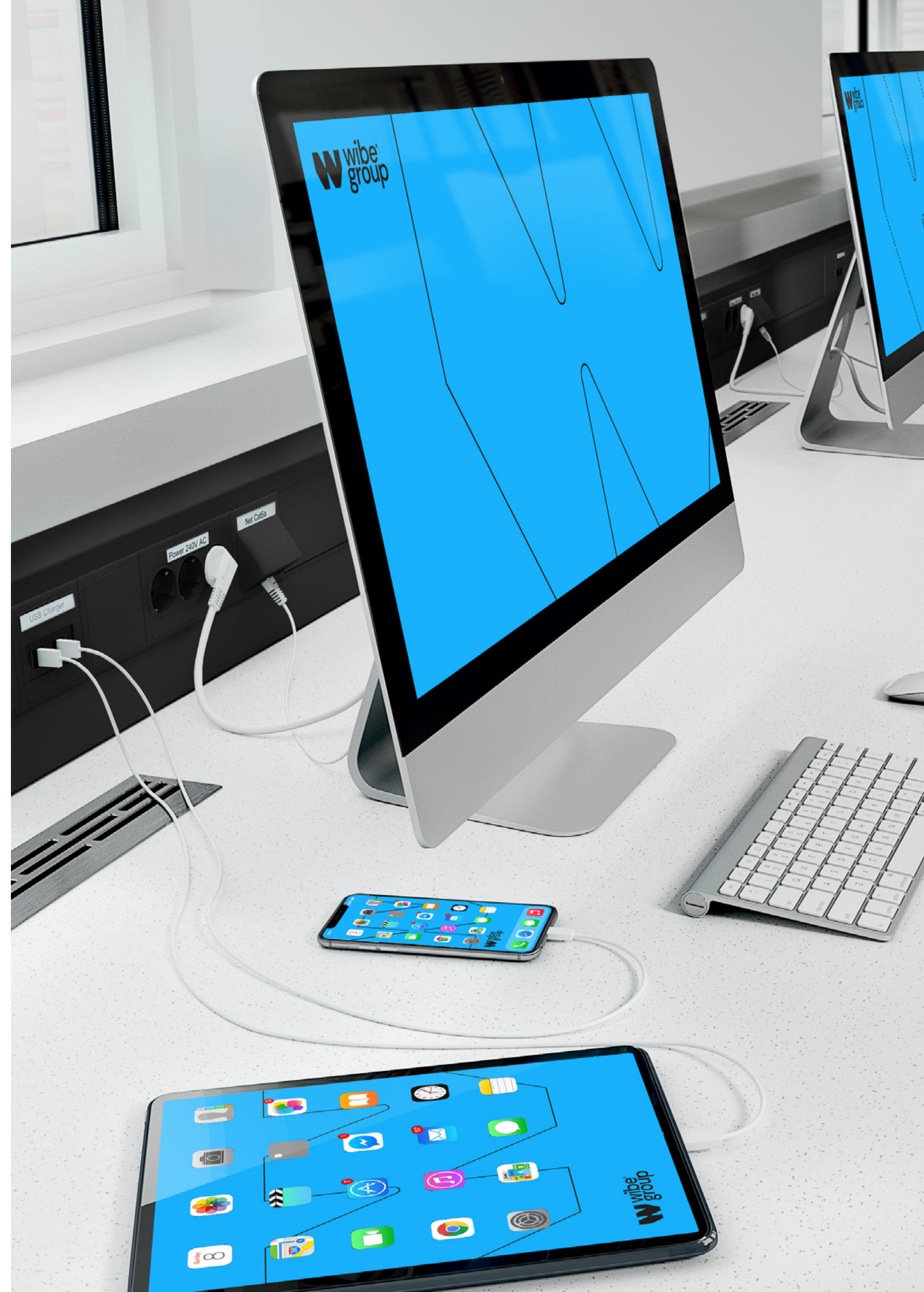
Ref no STA500071  
EAN code 7321679003400

### Saw support

Saw support/cutting jig for easy cutting of the trunking length. Dimension: 170A/65/- Material: Wood.



Ref.nr. INS5596232  
EAN Code 7315880080633

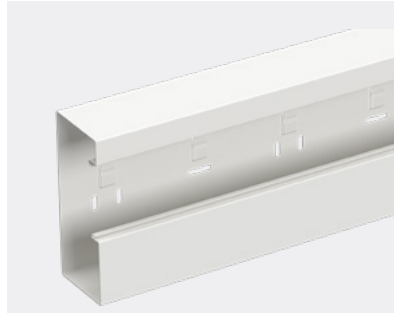




# Stago WGX 170A/72

## Trunking Base

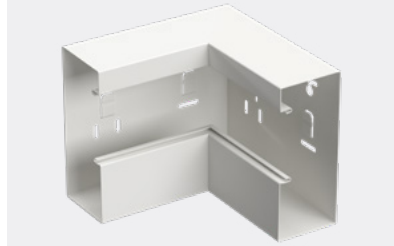
Steel trunking base with 80 mm front opening. Installs on wall or on fixed or adjustable brackets. Can be divided into compartments by cable shelves. Powder coated. Dimension: 170/72/2500 mm. Material: Steel.



Colour	White RAL9003	White RAL9010	Black RAL9017
Ref.nr.	STA550055	INS5553023	STA550145
EAN Code	8720871002430	7315880081838	8720871002577

## Inside Corner

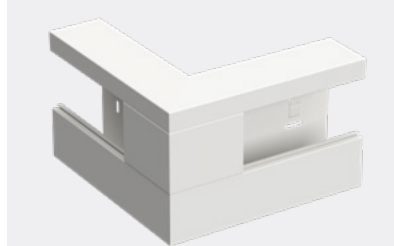
Inside corner with 80 mm front opening. Can be divided into compartments by cable shelves. To be used with sheet steel front cover. Dimension: 170/72/200 mm. Material: Steel.



Colour	White RAL9003	White RAL9010	Black RAL9017
Ref.nr.	STA550056	INS5553223	STA550142
EAN Code	8720871002447	7315880081852	8720871002546

## Outside Corner

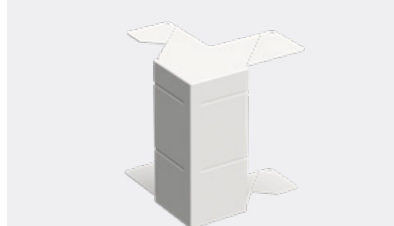
Outside corner with 80 mm front opening, kit including sheet steel front cover. Can be divided into compartments by cable shelves. Dimension: 170/72/200 mm. Material: Steel.



Colour	White RAL9003	White RAL9010	Black RAL9017
Ref.nr.	STA550057	INS5553423	STA550148
EAN Code	8720871002454	7315880081876	8720871002607

## Universal Corner

Universal corner. Can be used both as internal and external corner. Dimension: 170/72 /150 mm. Material: Steel.



Colour	White RAL9003	White RAL9010	Black RAL9017
Ref.nr.	STA550051	INS5553123	STA550141
EAN Code	8720871002393	7315885553125	8720871002539

## L-piece kit dropper

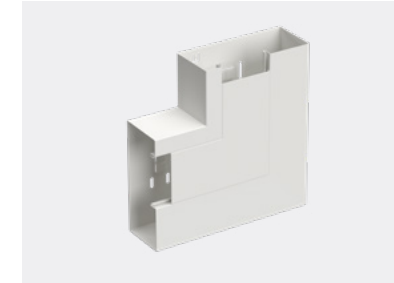
90° bend with 80 mm front opening. Dropper. Kit including sheet steel front cover of 225 mm length. Can be divided into compartments by cable shelves. Dimension: 250/72/250 mm. Material: Steel.



Colour	White RAL9003	White RAL9010	Black RAL9017
Ref.nr.	STA550059	INS5553525	STA550147
EAN Code	8720871002478	7315880081913	8720871002591

## L-piece kit riser

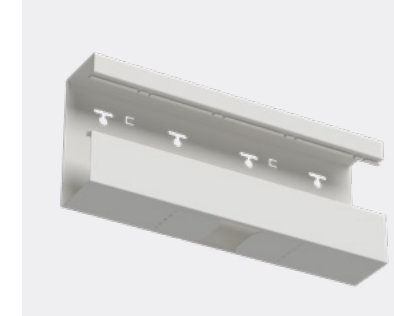
90° bend with 80 mm front opening. Riser. Kit including sheet steel front cover of 225 mm length. Can be divided into compartments by cable shelves. Dimension: 250/72/250 mm. Material: Steel.



Colour	White RAL9003	White RAL9010	Black RAL9017
Ref.nr.	STA550058	INS5553523	STA550146
EAN Code	8720871002461	7315880081890	8720871002584

## T-piece dropper

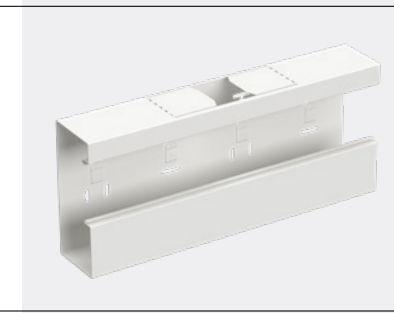
T-piece with 80 mm front opening and integrated flanges that must be bent up to a 90° angle before assembly. Dropper. Can be divided into compartments by cable shelves. To be used with sheet steel front cover. Dimension: 170/72/400 mm. Material: Steel.



Colour	White RAL9003	White RAL9010	Black RAL9017
Ref.nr.	STA550053	STA550176	STA550144
EAN Code	8720871002416	8720871002508	8720871002584

## T-piece riser

T-piece with 80 mm front opening and integrated flanges that must be bent up to a 90° angle before assembly. Riser. Can be divided into compartments by cable shelves. To be used with sheet steel front cover. Dimension: 170/72/400 mm. Material: Steel.



Colour	White RAL9003	White RAL9010	Black RAL9017
Ref.nr.	STA550052	INS5553623	STA550143
EAN Code	8720871002409	3606480340482	8720871002553

## End piece

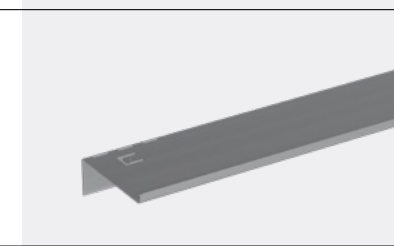
Stop end intended to cover the ends of the trunking base. Dimension: 170/72/11 mm. Material: Steel.



Colour	White RAL9003	White RAL9010	Black RAL9017
Ref.nr.	STA550060	INS5553813	STA550150
EAN Code	8720871002485	3606480340543	8720871002621

## Cable shelf single 72 mm

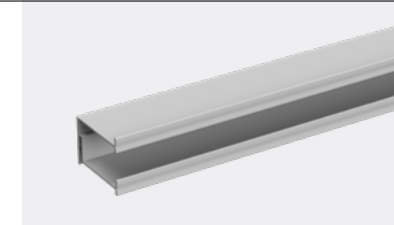
Single cable shelf, intended to divide the trunking into compartments. Dimension: 27/60/1000 mm. Material: steel.



Material	Steel
Ref.nr.	5591740
EAN Code	7315885591745

## Cable shelf double 72 mm

Cable shelf, double, intended to divide the trunking into compartments. Dimension (steel): 41/52/1000 mm. Dimension (PVC): 49/61/500 mm.



Material	Steel	PVC
Ref.nr.	5591743	5591720
EAN Code	7315880113362	7315885591721

## Front cover 80 mm

Front cover for the 80 mm front opening. The front cover guarantees equipotential bonding when installed in the trunking base. Dimension: 80/12.7/1500 mm. Material: steel.



Colour	White RAL9003	White RAL9010	Black RAL9017
Ref.nr.	STA550066	INS5596003	STA550154
EAN Code	8720871002683	7315880097990	8720871002710

## Outlet front cover 100 mm

Outlet front cover kit including two front cover pieces, to be fitted on either side of socket outlets. Dimension: 80/12.7/100 mm. Material: steel.



Colour	White RAL9003	White RAL9010	Black RAL9017
Ref.nr.	STA550065	INS5596053	STA550155
EAN Code	8720871002676	3606480340789	8720871002713

### Outlet front cover 50 mm

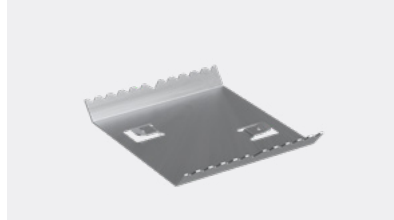
Outlet front cover kit including two front cover pieces, to be fitted on either side of socket outlets. Dimension: 80/12.7/50 mm. Material: steel.



Colour	White RAL9003	White RAL9010	Black RAL9017
Ref.nr.	STA550067	5595107	STA550156
EAN Code	8720871002690	7315880098089	8720871002720

### Jointing piece

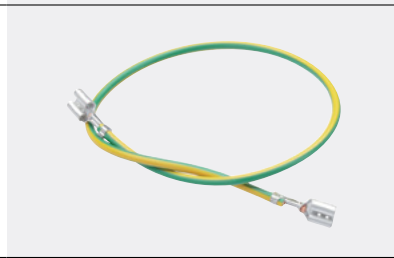
Joint piece, intended to joint trunking base parts together and connect them to earth between trunking sections. Dimension: 60/71/7 mm. Material: steel.



Ref.nr.	5590935
EAN Code	7315880066026

### Earth wire 300 mm

Secures the functional earth connection between the different components in the trunking installation. 300 mm long, 2.5mm<sup>2</sup>. Equipped with 6.3mm flat tab cable terminals on both sides, green/yellow.



Ref.nr.	STA520086
EAN Code	7321679003738

### Earthing wire incl. grip-on fixation clips

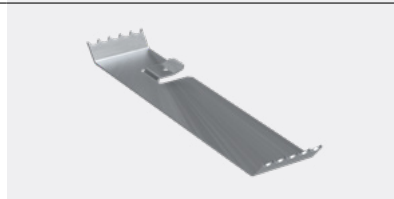
Secures the electrical bonding connection specifically between cable shelves in the steel trunking installation, Equipped with 6.3mm flat tab cable terminals on both sides and grip-on clips, green/yellow.



Ref.nr.	INS5510953
EAN Code	7321679004919

### Earthing clamp cover

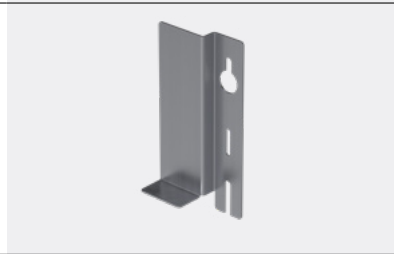
For earthing covers shorter than 100 mm. For 80 mm front cover. Dimensions: 79/5/16. Material: stainless steel.



Ref.nr.	5590509
EAN Code	7315880098010

### Wall bracket fixed High

Filxed depth wall brackets for mounting at a distance from the wall. High for trunking higher than 130 mm. Two self-drilling screws are included to each product. Material: Steel, unpainted.



Ref.nr.	INS55016	INS55036
EAN Code	3606489513610	3606489513627
Dimension	120/80/15 mm	120/80/35 mm

### Wall brackets adjust High

Adjustable wall bracket for mounting of trunking at a distance from the wall. For trunking higher than 130 mm. Material: steel.



Ref.nr.	5583530	5583532
EAN Code	7315885583535	7315880078685
Dimension	102/126/50	102/126/70
Adjst between	50-70 mm	70-110 mm
Ref.nr.	5583534	5583536
EAN Code	7315880078692	7315880078708
Dimension	102/126/110	102/126/160
Adjst between	110-170 mm	160-260 mm

### Ventilation rib holder

Ventilation rib holder. The ventilation rib installs securely with the included spring clip. Can be cut to length, and adjusted to the number of ventilation ribs installed. Two clips are included. The clip can be purchased as a spare part if lost. Dimension: 15/34/125 mm. Material: PLA plastic, halogen free.



Ref no	STA500057
EAN code	7321679003660

### Ventilation rib jointing piece

Jointing piece for ventilation ribs. Grey colour. Makes for a nicer installation, when joining two ventilation ribs in mid air. Installs from the bottom of the ventilation rib with a click. Dimension: 19/10/100 mm. Material: PLA plastic, halogen free.



Ref no	STA500070
EAN code	7321679003608

### Ventilation rib clip

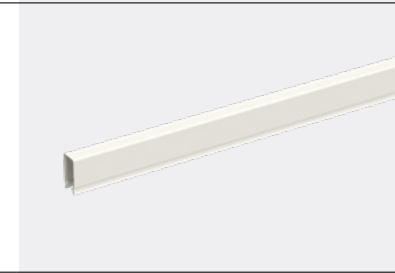
The clip secures the ventilation rib holder. Dimension: 38/22 Ø2 mm. Material: steel.



Ref no	STA500071
EAN code	7321679003400

### Ventilation rib

Ventilation ribs. Dimension: 20/10/2500 mm. Material: steel.



Colour	White RAL9003	White RAL9010	Black RAL9017
Ref.nr.	STA550153	INS5590444	STA550152
EAN Code	8720871004717	8720871002652	8720871002751

### Joint Cover piece

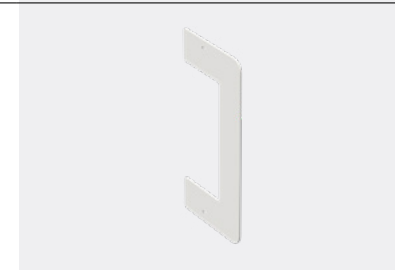
Joint cover piece, intended to cover joints between trunking sections. Dimension: 170/72/30 mm. Material: steel.



Colour	White RAL9003	White RAL9010	Black RAL9017
Ref.nr.	STA550061	5595308	STA550149
EAN Code	8720871002492	7315880085270	8720871002614

### Wall Frame

Wall frame to be used to cover a trunking passage through the wall or to make an attractive finish of the trunking against a wall. Dimension: 232/102/1.5 mm. Material: steel.



Colour	White RAL9003	White RAL9010	Black RAL9017
Ref.nr.	STA550054	STA550187	STA550140
EAN Code	8720871002423	8720871002515	8720871002522





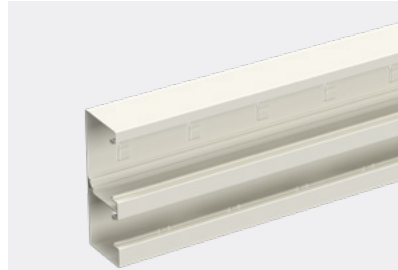
One provider,  
moving the  
industry forward



# Stago WGX 183/72

## Trunking Base

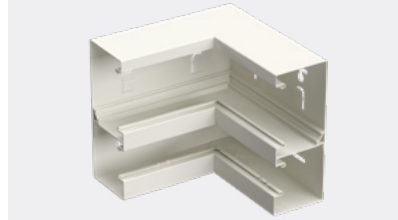
Steel trunking base with 40 and 80 mm front opening. Installs on wall or on fixed or adjustable brackets. Can be divided into compartments by cable shelves. Powder coated. Dimension: 183/72/2500 mm. Material: Steel.



Colour	White RAL9010
Ref.nr.	INS5555003
EAN Code	7315880082231

## Inside Corner

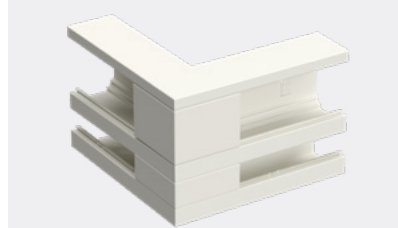
Inside corner with 40 mm and 80 mm front opening. Can be divided into compartments by cable shelves. Integrated and removable partition wall included. To be used with sheet steel front cover. Dimension: 183/72/200 mm. Material: Steel.



Colour	White RAL9010
Ref.nr.	INS5555203
EAN Code	7315880082255

## Outside Corner

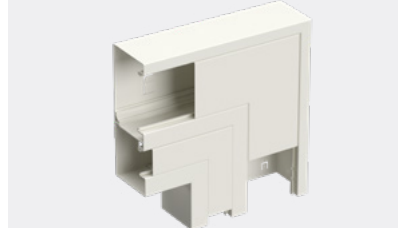
Outside corner with 40 mm and 80 mm front opening, kit including sheet steel front cover. Can be divided into compartments by cable shelves. Integrated and removable partition wall included. Dimension: 183/72/200 mm. Material: Steel.



Colour	White RAL9010
Ref.nr.	INS5555403
EAN Code	7315880082279

## L-piece kit dropper

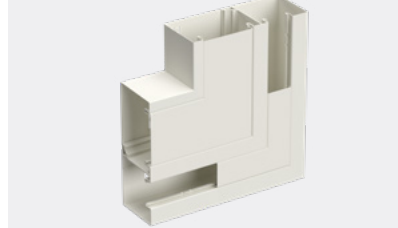
90° bend with 40 mm and 80 mm front opening. Dropper. Kit including sheet steel front cover of 225 mm length. Can be divided into compartments by cable shelves. Integrated and removable partition wall included. Dimension: 250/72/250 mm. Material: Steel.



Colour	White RAL9010
Ref.nr.	INS5555505
EAN Code	3606480340727

## L-piece kit riser

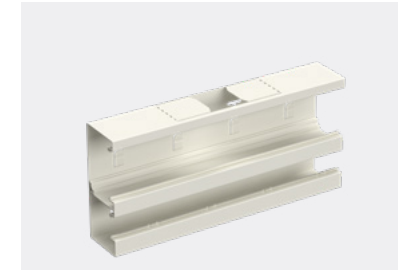
90° bend with 40 mm and 80 mm front opening. Riser. Kit including sheet steel front cover of 225 mm length. Can be divided into compartments by cable shelves. Integrated and removable partition wall included. Dimension: 250/72/250 mm. Material: Steel.



Colour	White RAL9010
Ref.nr.	INS5555503
EAN Code	3606480340710

## T-piece riser

T-piece with 40 mm and 80 mm front opening and integrated flanges that must be bent up to a 90° angle before assembly. Dropper. Can be divided into compartments by cable shelves. Integrated and removable partition wall, provided with pre-punched holes, included. To be used with sheet steel front cover. Dimension: 183/72/400 mm. Material: Steel.



Colour	White RAL9010
Ref.nr.	INS5555603
EAN Code	7315880082347

## End piece

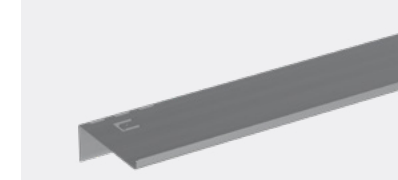
Stop end intended to cover the ends of the trunking base. Dimension: 183/72/11 mm. Material: Steel.



Colour	White RAL9010
Ref.nr.	INS5555803
EAN Code	3606480340758

## Cable shelf single 72 mm

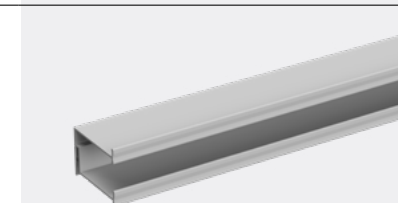
Single cable shelf, intended to divide the trunking into compartments. Dimension: 27/60/1000 mm. Material: steel.



Material	Steel
Ref.nr.	5591740
EAN Code	7315885591745

## Cable shelf double 72 mm

Cable shelf, double, intended to divide the trunking into compartments. Dimension (steel): 41/52/1000 mm. Dimension (PVC): 49/61/500 mm.



Material	Steel	PVC
Ref.nr.	5591743	5591720
EAN Code	7315880113362	7315885591721

## Front cover 40 mm

Front cover for the 40 mm front opening. The front cover guarantees equipotential bonding when installed in the trunking base. Dimension: 40/12.7/1500 mm. Material: Steel.



Colour	White RAL9010
Ref.nr.	INS5596019
EAN Code	7315880098164

## Front cover 80 mm

Front cover for the 80 mm front opening. The front cover guarantees equipotential bonding when installed in the trunking base. Dimension: 80/12.7/1500 mm. Material: steel.



Colour	White RAL9010
Ref.nr.	INS5596003
EAN Code	7315880097990

## Outlet front cover 100 mm

Outlet front cover kit including two front cover pieces, to be fitted on either side of socket outlets. Dimension: 80/12.7/100 mm. Material: steel.



Colour	White RAL9010
Ref.nr.	INS5596053
EAN Code	3606480340789

## Outlet front cover 50 mm

Outlet front cover kit including two front cover pieces, to be fitted on either side of socket outlets. Dimension: 80/12.7/50 mm. Material: steel.



Ref.nr.	5595107
EAN Code	7315880098089

## Joining piece

Joint piece, intended to joint trunking base parts together and connect them to earth between trunking sections. Dimension: 60/71/7 mm. Material: steel.



Ref.nr.	5590935
EAN Code	7315880066026



### Earth wire 300 mm

Secures the functional earth connection between the different components in the trunking installation. 300 mm long, 2.5mm<sup>2</sup>. Equipped with 6.3mm flat tab cable terminals on both sides, green/yellow.



Ref.nr.	STA520086
EAN Code	7321679003738

### Earthing wire incl. grip-on fixation clips

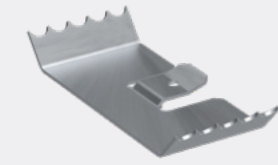
Secures the electrical bonding connection specifically between cable shelves in the steel trunking installation. Equipped with 6.3mm flat tab cable terminals on both sides and grip-on clips, green/yellow.



Ref.nr.	INS5510953
EAN Code	7321679004919

### Earthing clamp cover

For earthing covers shorter than 100 mm. For 40 or 80 mm front cover. Dimension: 79/5/16 mm. Material: stainless steel.



Ref.nr.	INS5590508	5590509
EAN Code	7315880098027	7315880098010
Size	F40	80 mm

### Wall bracket fixed High

Fixed depth wall brackets for mounting at a distance from the wall. High for trunking higher than 130 mm. Two self-drilling screws are included to each product. Material: Steel, unpainted.



Ref.nr.	INS55016	INS55036
EAN Code	3606489513610	3606489513627
Dimension	120/80/15 mm	120/80/35 mm

### Wall brackets adjust High

Adjustable wall bracket for mounting of trunking at a distance from the wall. For trunking higher than 130 mm. Material: steel.



Ref.nr.	5583530	5583532
EAN Code	7315885583535	7315880078685
Dimension	102/126/50	102/126/70
Adjust between	50-70 mm	70-110 mm

Ref.nr.	5583534	5583536
EAN Code	7315880078692	7315880078708
Dimension	102/126/110	102/126/160
Adjust between	110-170 mm	160-260 mm

### Ventilation rib holder

Ventilation rib holder. The ventilation rib installs securely with the included spring clip. Can be cut to length, and adjusted to the number of ventilation ribs installed. Two clips are included. The clip can be purchased as a spare part if lost. Dimension: 15/34/125 mm. Material: PLA plastic, halogen free.



Ref no	STA500057
EAN code	7321679003660

### Ventilation rib jointing piece

Jointing piece for ventilation ribs. Grey colour. Makes for a nicer installation, when joining two ventilation ribs in mid air. Installs from the bottom of the ventilation rib with a click. Dimension: 19/10/100 mm. Material: PLA plastic, halogen free.



Ref no	STA500070
EAN code	7321679003608

### Ventilation rib clip

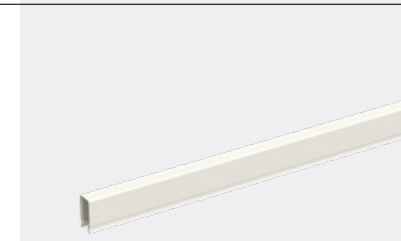
The clip secures the ventilation rib holder. Dimension: 38/22 Ø2 mm. Material: steel.



Ref no	STA500071
EAN code	7321679003400

### Ventilation rib

Ventilation ribs. Dimension: 20/10/2500 mm. Material: steel.



Colour	White RAL9010
Ref.nr.	INS5590444
EAN Code	8720871002652

### Joint Cover piece

Joint cover piece, intended to cover joints between trunking sections. Dimension: 183/72/30 mm. Material: steel.



Colour	White RAL9010
Ref.nr.	5595323
EAN Code	7315880085331

### Earth terminal

Earth terminal for earthing of front cover. Installation by simply twisting into the 80 mm front cover. Use in combination with earthing wire. Material: electroplated steel.



Ref no	STA520098
EAN code	7321679003752

# Stago WGX 233/72

## Trunking Base

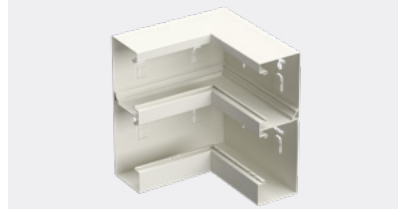
Steel trunking base with 80 mm front opening. Installs on wall or on fixed or adjustable brackets. Can be divided into compartments by cable shelves. Powder coated. Dimension: 233/72/2500 mm. Material: Steel.



Colour	White RAL9010
Ref.nr.	INS5558003
EAN Code	7315880082989

## Inside Corner

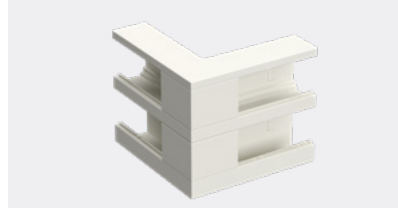
Inside corner with 80 mm front opening. Can be divided into compartments by cable shelves. Integrated and removable partition wall included. To be used with sheet steel front cover. Dimension: 233/72/200 mm. Material: Steel.



Colour	White RAL9010
Ref.nr.	INS5558203
EAN Code	7315880083009

## Outside Corner

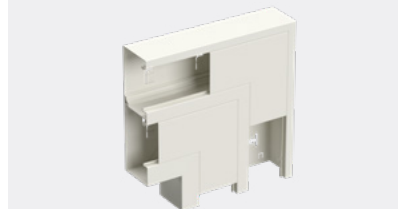
Outside corner with 80 mm front opening, kit including sheet steel front cover. Can be divided into compartments by cable shelves. Integrated and removable partition wall included. Dimension: 233/72/200 mm. Material: Steel.



Colour	White RAL9010
Ref.nr.	INS5558403
EAN Code	7315880083023

## L-piece kit dropper

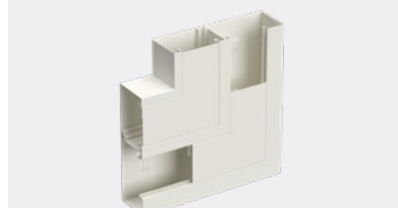
90° bend with 80 mm front opening. Dropper. Kit including sheet steel front cover of 225 mm length. Can be divided into compartments by cable shelves. Integrated and removable partition wall included. Dimension: 300/72/300 mm. Material: Steel.



Colour	White RAL9010
Ref.nr.	STA550169
EAN Code	8720871002638

## L-piece kit riser

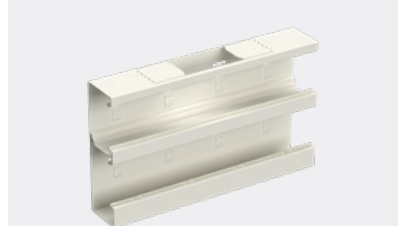
90° bend with 80 mm front opening. Dropper. Kit including sheet steel front cover of 225 mm length. Can be divided into compartments by cable shelves. Integrated and removable partition wall included. Dimension: 300/72/300 mm. Material: Steel.



Colour	White RAL9010
Ref.nr.	INS5558503
EAN Code	7315880083047

## T-piece riser

T-piece with 80 mm front opening and integrated flanges that must be bent up to a 90° angle before assembly. Dropper. Can be divided into compartments by cable shelves. Integrated and removable partition wall, provided with pre-punched holes, included. To be used with sheet steel front cover. Dimension: 233/72/400 mm. Material: Steel.



Colour	White RAL9010
Ref.nr.	INS5558603
EAN Code	7315880083092

## End piece

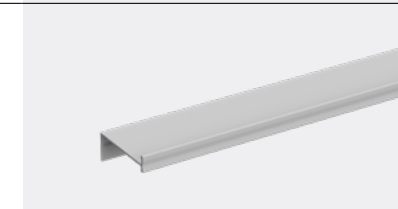
Stop end intended to cover the ends of the trunking base. Dimension: 233/72/11 mm. Material: Steel.



Colour	White RAL9010
Ref.nr.	INS5558803
EAN Code	7315880083160

## Cable shelf single 72 mm

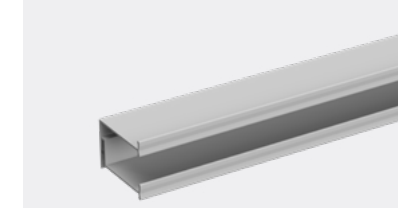
Single cable shelf, intended to divide the trunking into compartments. Dimension: 27/60/1000 mm. Material: steel.



Material	Steel
Ref.nr.	5591740
EAN Code	7315885591745

## Cable shelf double 72 mm

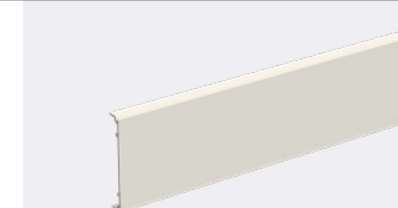
Cable shelf, double, intended to divide the trunking into compartments. Dimension (steel): 41/52/1000 mm. Dimension (PVC): 49/61/500 mm.



Material	Steel	PVC
Ref.nr.	5591743	5591720
EAN Code	7315880113362	7315885591721

## Front cover 80 mm

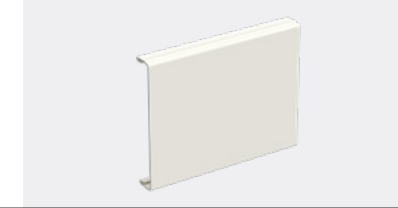
Front cover for the 80 mm front opening. The front cover guarantees equipotential bonding when installed in the trunking base. Dimension: 80/12.7/1500 mm. Material: steel.



Colour	White RAL9010
Ref.nr.	INS5596003
EAN Code	7315880097990

## Outlet front cover 100 mm

Outlet front cover kit including two front cover pieces, to be fitted on either side of socket outlets. Dimension: 80/12.7/100 mm. Material: steel.



Colour	White RAL9010
Ref.nr.	INS5596053
EAN Code	3606480340789

## Outlet front cover 50 mm

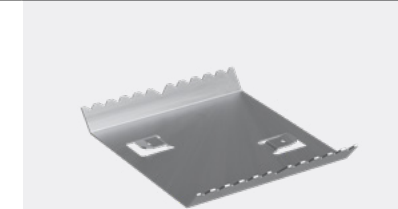
Outlet front cover kit including two front cover pieces, to be fitted on either side of socket outlets. Dimension: 80/12.7/50 mm. Material: steel.



Colour	White RAL9010
Ref.nr.	5595107
EAN Code	7315880098089

## Jointing piece

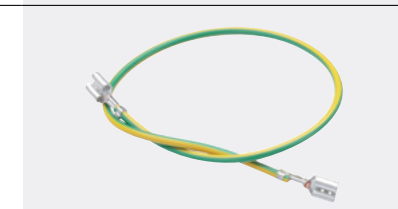
Joint piece, intended to joint trunking base parts together and connect them to earth between trunking sections. Dimension: 60/71/7 mm. Material: steel.



Ref.nr.	5590935
EAN Code	7315880066026

## Earth wire 300 mm

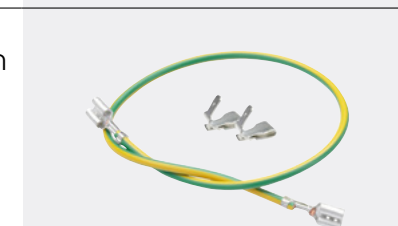
Secures the functional earth connection between the different components in the trunking installation. 300 mm long, 2.5mm<sup>2</sup>. Equipped with 6.3mm flat tab cable terminals on both sides, green/yellow.



Ref.nr.	STA520086
EAN Code	7321679003738

## Earthing wire incl. grip-on fixation clips

Secures the electrical bonding connection specifically between cable shelves in the steel trunking installation, Equipped with 6.3mm flat tab cable terminals on both sides and grip-on clips, green/yellow.

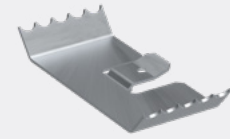


Ref.nr.	INS5510953
EAN Code	7321679004919



### Earthing clamp cover

For earthing covers shorter than 100 mm. For 80 mm front cover.  
Dimensions: 79/5/16. Material: stainless steel.



Ref.nr.	5590509
EAN Code	7315880098010

### Wall bracket fixed High

Fixed depth wall brackets for mounting at a distance from the wall. High for trunking higher than 130 mm. Two self-drilling screws are included to each product. Material: Steel, unpainted.



Ref.nr.	INS55016	INS55036
EAN Code	3606489513610	3606489513627
Dimension	120/80/15 mm	120/80/35 mm

### Wall brackets adjust High

Adjustable wall bracket for mounting of trunking at a distance from the wall. For trunking higher than 130 mm. Material: steel.



Ref.nr.	5583530	5583532
EAN Code	7315885583535	7315880078685
Dimension	102/126/50	102/126/70
Adjst between	50-70 mm	70-110 mm
Ref.nr.	5583534	5583536
EAN Code	7315880078692	7315880078708
Dimension	102/126/110	102/126/160
Adjst between	110-170 mm	160-260 mm

### Ventilation rib holder

Ventilation rib holder. The ventilation rib installs securely with the included spring clip. Can be cut to length, and adjusted to the number of ventilation ribs installed. Two clips are included. The clip can be purchased as a spare part if lost. Dimension: 15/34/125 mm. Material: PLA plastic, halogen free.



Ref no	STA500057
EAN code	7321679003660

### Ventilation rib jointing piece

Jointing piece for ventilation ribs. Grey colour. Makes for a nicer installation, when joining two ventilation ribs in mid air. Installs from the bottom of the ventilation rib with a click. Dimension: 19/10/100 mm. Material: PLA plastic, halogen free.



Ref no	STA500070
EAN code	7321679003608

### Ventilation rib clip

The clip secures the ventilation rib holder. Dimension: 38/22 Ø2 mm. Material: steel.



Ref no	STA500071
EAN code	7321679003400

### Ventilation rib

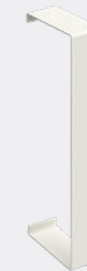
Ventilation ribs. Dimension: 20/10/2500 mm. Material: steel.



Colour	White RAL9010
Ref.nr.	INS5590444
EAN Code	8720871002652

### Joint Cover piece

Joint cover piece, intended to cover joints between trunking sections. Dimension: 233/72/30 mm. Material: steel.



Colour	White RAL9010
Ref.nr.	5595383
EAN Code	7315880085461

### Earth terminal

Earth terminal for earthing of front cover. Installation by simply twisting into the 80 mm front cover. Use in combination with earthing wire. Material: electroplated steel.



Ref no	STA520098
EAN code	7321679003752

# Cable capacity

## Technical data

Standards	The products comply with the standards: EN 50085-1 & IEC 61084-1 EN 50085-2/1 & IEC 61084-2/1
	*The products satisfy the provisions for CE marking according to the Low Voltage Directive 2014/35/EU.*
	*The products comply with the RoHS directive 2011/65 EU, REACH Directive 2006/1907 EU (Restriction of Hazardous Substances)*
	KEMA KEUR certificate Number 71-123577 REV.1

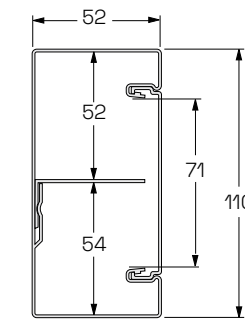
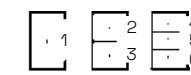
## Material data

Material	Pre-galvanized sheet steel in accordance with EN 10346
Density	7.646 g/cm <sup>3</sup>
Linear expansion	11,5x10 <sup>-6</sup> /°C
Surface treatment	Zinc coating, Powder coated
Colour spec	White RAL9003 White RAL9010 White RAL 1013 Black RAL9017 Optional acc. to customer requirement

## Operative data

Temperature range	From -25°C to +60°C
Suitable outdoors	No
Degree of protection	IP20
Suitable for environmental, Corrosion Class According to ISO 12944-2	C1, C2
Impedance of ducting length or trunking length	3,3 mΩ/m
Trunking access cover retention	Access cover can only be opened with a tool.
Non reusable fasteners	Earth terminal for 80 mm and 40 mm front cover (STA520098) Earthing grip (INS5510953)

## 110/52



Comp. No.	Diameter of wire	Cross section area mm <sup>2</sup>	Cable capacity mm <sup>2</sup>		
			40%	50%	60%

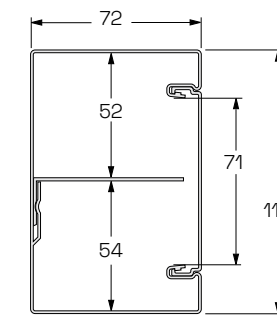
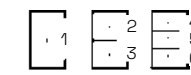
Without mounting boxes					
1	37	4152	1661	2076	2491
2	39	2052	821	1026	1231
3	37	2131	852	1066	1279
4	31	1302	521	651	781
5	29	1027	411	513	616
6	31	1354	542	677	812

With 50 mm deep sockets					
1	19	1723	689	862	1034
2	19	776	310	388	465
3	19	948	379	474	569
4	19	776	310	388	465
5	0	0	-	-	-
6	19	944	377	472	566

With 45 mm deep sockets					
1	19	1892	727	965	1135
2	19	887	355	443	532
3	19	1000	400	500	600
4	19	821	328	410	492
5	5	150	60	75	90
6	19	902	361	451	541

With 23 mm deep sockets					
1	37	3980	1592	1990	2388
2	29	1904	761	952	1142
3	29	2045	818	1022	1227
4	29	1350	540	675	810
5	29	1027	411	513	616
6	29	1201	481	601	721

## 110/72



Comp. No.	Diameter of wire	Cross section area mm <sup>2</sup>	Cable capacity mm <sup>2</sup>		
			40%	50%	60%

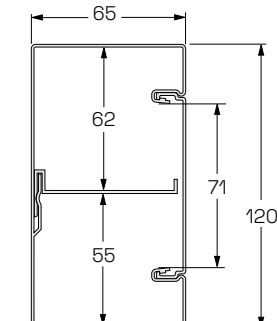
Without mounting boxes					
1	53	6155	2462	3078	3693
2	51	2939	1176	1470	1763
3	52	3080	1232	1540	1848
4	33	2018	807	1009	1211
5	30	1682	673	841	1009
6	30	1976	790	988	1186

With 50 mm deep sockets					
1	27	3603	1441	1802	2162
2	27	1733	693	867	1040
3	27	1827	731	914	1096
4	27	1448	579	724	869
5	16	554	222	277	332
6	27	1439	576	720	863

With 45 mm deep sockets					
1	25	3784	1514	1892	2270
2	25	1814	726	907	1088
3	25	1914	766	957	1148
4	25	1456	582	728	874
5	25	699	280	350	419
6	25	1426	570	713	856

With 23 mm deep sockets					
1	53	5813	2325	2907	3488
2	47	2768	1107	1384	1661
3	43	2909	1164	1455	1745
4	36	1834	734	917	1100
5	30	1444	578	722	866
6	30	1806	722	903	1084

## 120/65



Comp. No.	Diameter of wire	Cross section area mm <sup>2</sup>	Cable capacity mm <sup>2</sup>		
			40%	50%	60%

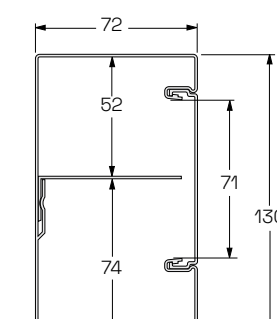
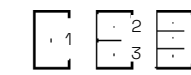
Without mounting boxes					
1	50	6082	2433	3041	3649
2	50	3153	1261	1576	1892
3	50	2926	1171	1463	1756
4	44	2002	801	1001	1201
5	33	1432	573	716	859
6	37	2108	843	1054	1265

With 50 mm deep sockets					
1	27	3693	1477	1846	2216
2	27	1693	677	846	1016
3	27	1909	763	954	1145
4	27	1555	622	778	933
5	12	427	171	213	256
6	27	1683	5673	841	1010

With 45 mm deep sockets					
1	26	3831	1532	1915	2298
2	26	1781	712	890	1068
3	26	1955	782	978	1173
4	26	1563	625	781	938
5	16	580	232	290	348
6	26	1654	662	827	992

With 23 mm deep sockets					
1	49	5924	2369	2962	3554
2	41	2964	1185	1482	1778
3	41	2840	1136	1420	1704
4	41	2090	836	1045	1254
5	33	1432	573	716	859
6	37	1976	790	988	1186

## 130/72



Comp. No.	Diameter of wire	Cross section area mm <sup>2</sup>	height	Cable capacity mm <sup>2</sup>		
				40%	50%	60%

Without mounting boxes					
1	57	7687	3075	3844	4612
2	53	3110	1244	1555	1866
3	57	4603	1841	2302	2762
4	41	2218	887	1109	1331
5	34	1691	677	846	1015
6	50	3356	1342	1678	2014

With 50 mm deep sockets					
1	41	5284	2113	2642	3170
2	28	1864	746	932	1118
3	41	3402	1361	1701	2041
4	28	1647	658	823	988
5	18	671	268	335	402
6	41	2936	1170	1463	1755

With 45 mm deep sockets					
1	40	5421	2168	2711	3253
2	27	1929	772	965	1158
3	40	3471	1388	1736	2083
4	27	1659	663	829	995
5	23	826	330	413	495
6	40	2888	1155	1444	1733

With 23 mm deep sockets					
1	55	7512	3005	3756	4507
2	48	2949	1180	1475	1770
3	52	4515	1806	2258	2709
4	41	2194	878	1097	1316
5	34	1691	677	846	1015
6	50	3205	1282	1603	1923

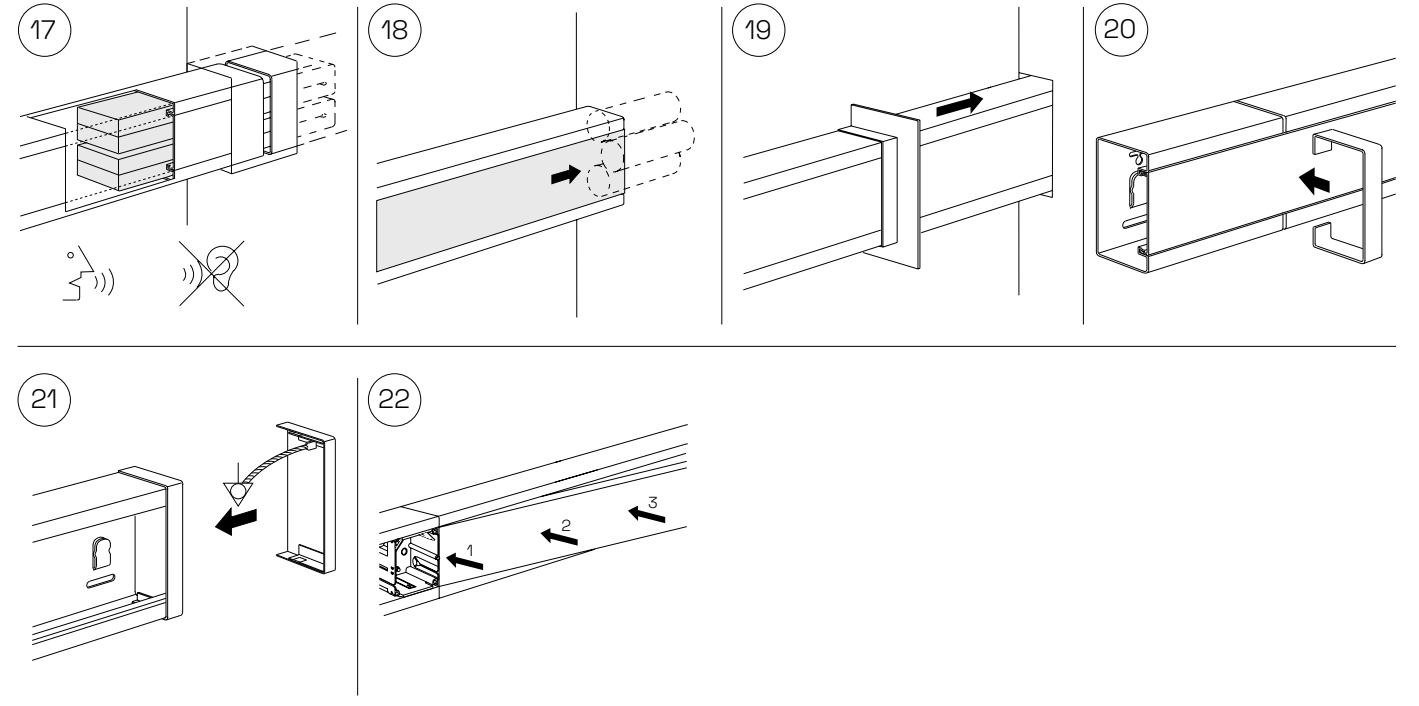
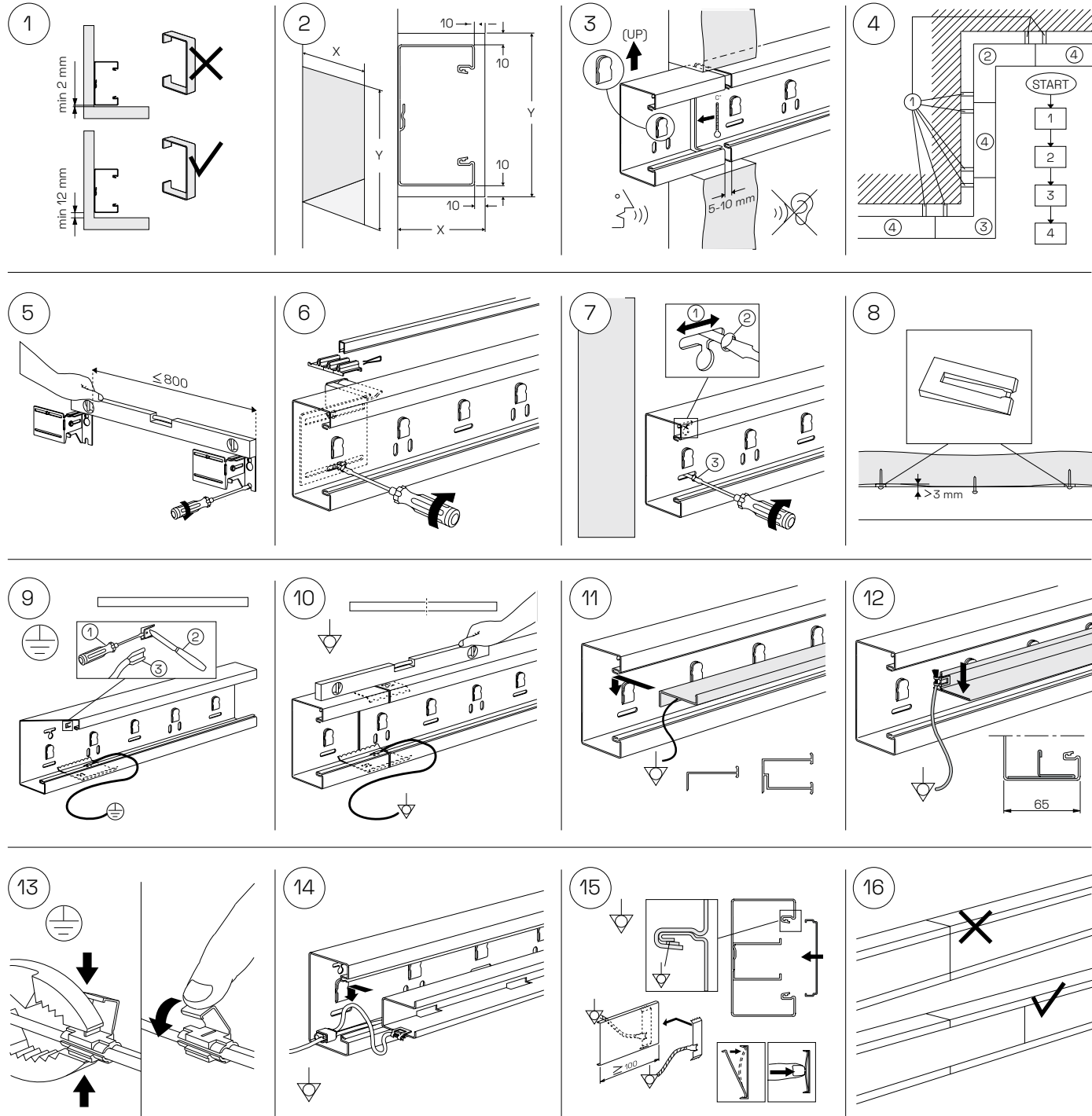
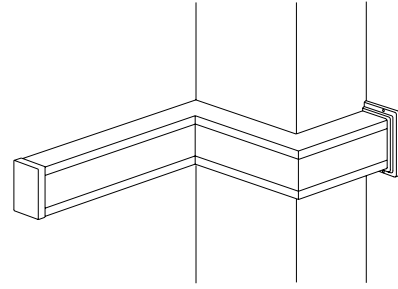




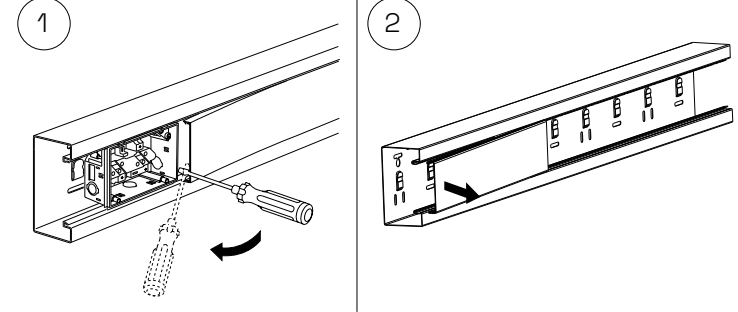
# Installation

## Steel trunking 110, 120, 130, 170

110:	120:	130:	170:
STA550004	INS5551000	STA550036	INS5553003
INS5550003	STA550023	INS5552003	STA550121
STA550071	INS5551003	STA550103	INS5553013
STA550013	INS5551002		STA550131
INS5550013	STA550090		STA550055
STA550080			INS5553023
			STA550145



### Dismounting

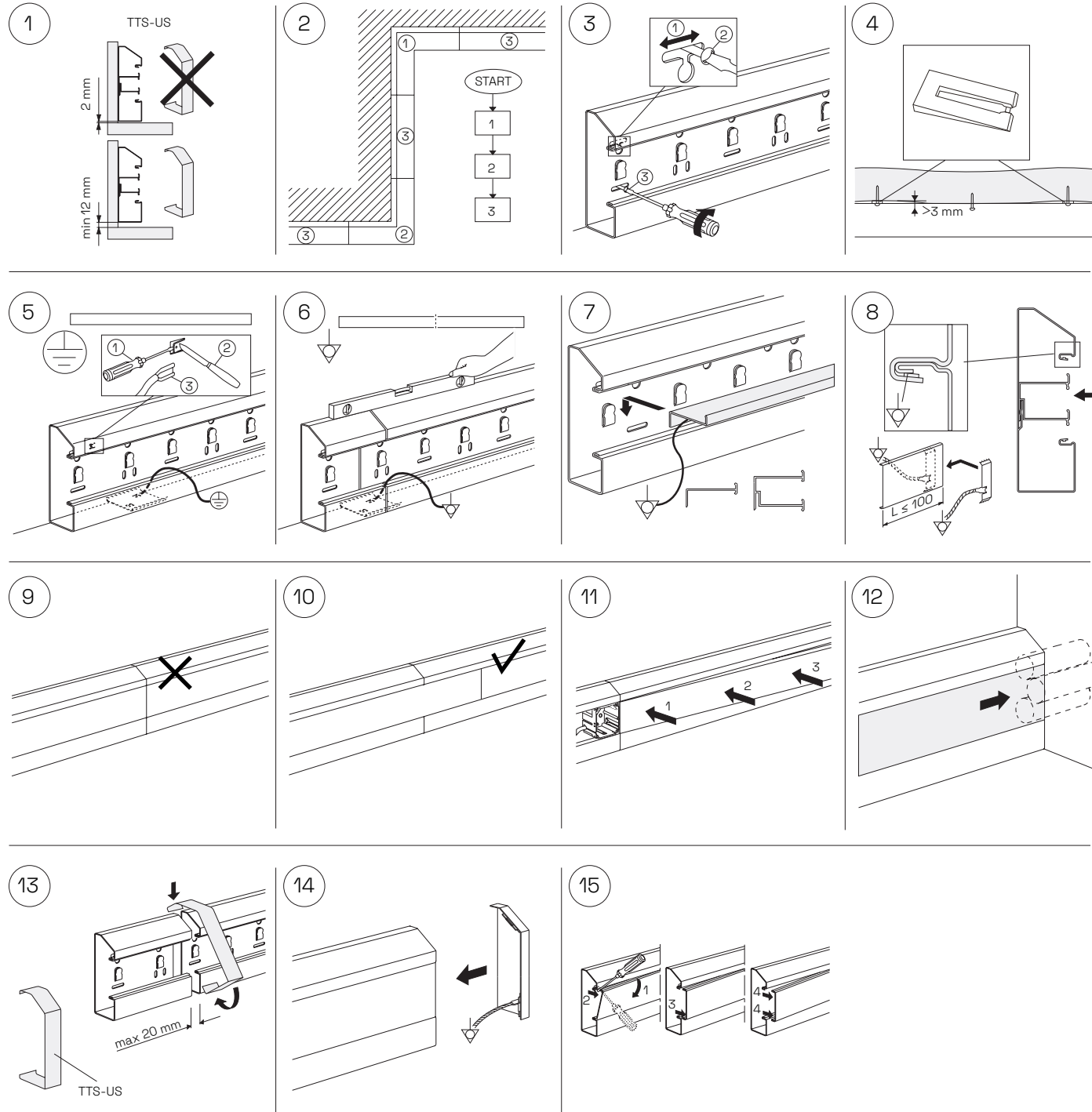
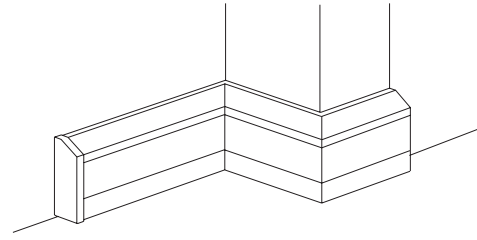




# Installation

## Steel trunking 165V

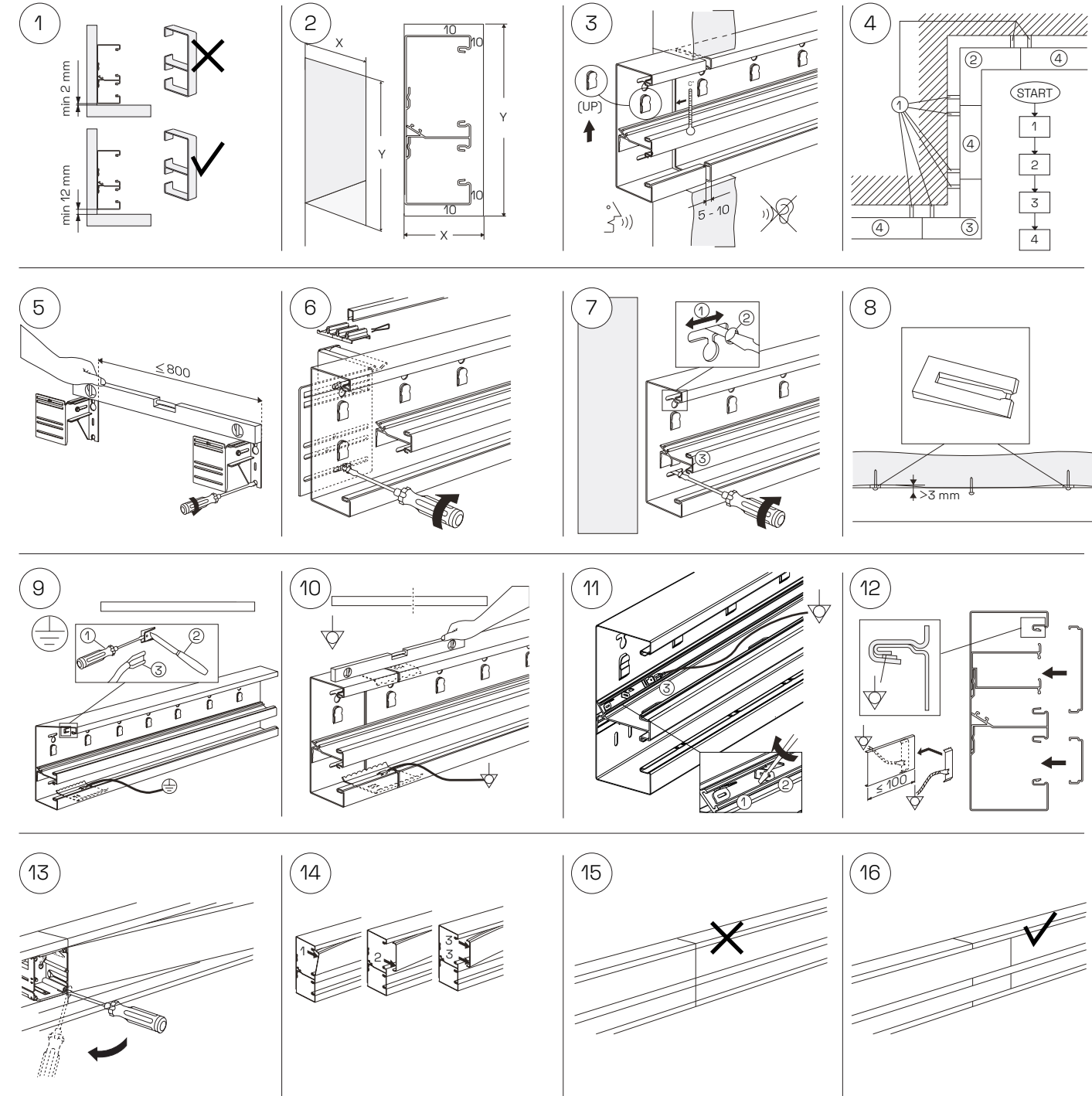
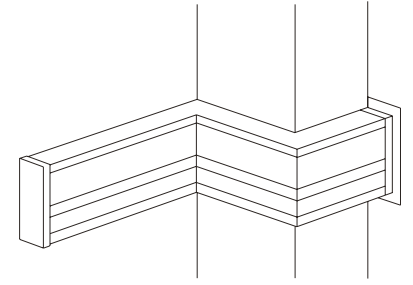
STA550045  
INS5554003  
STA550112



# Installation

## Steel trunking 183-2, 233-2

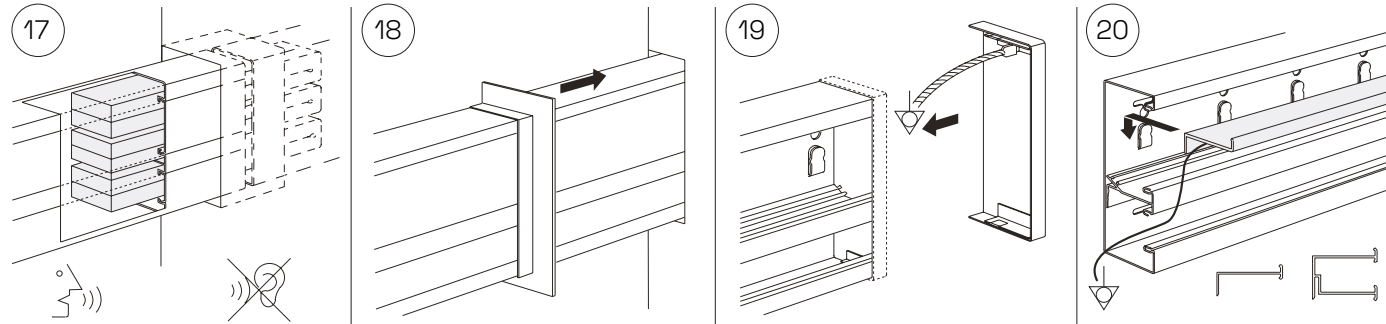
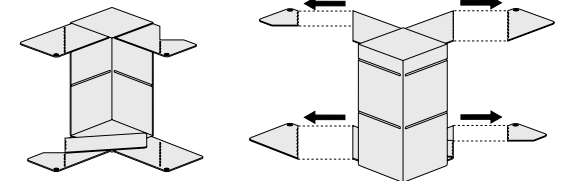
INS5555003  
INS5558003



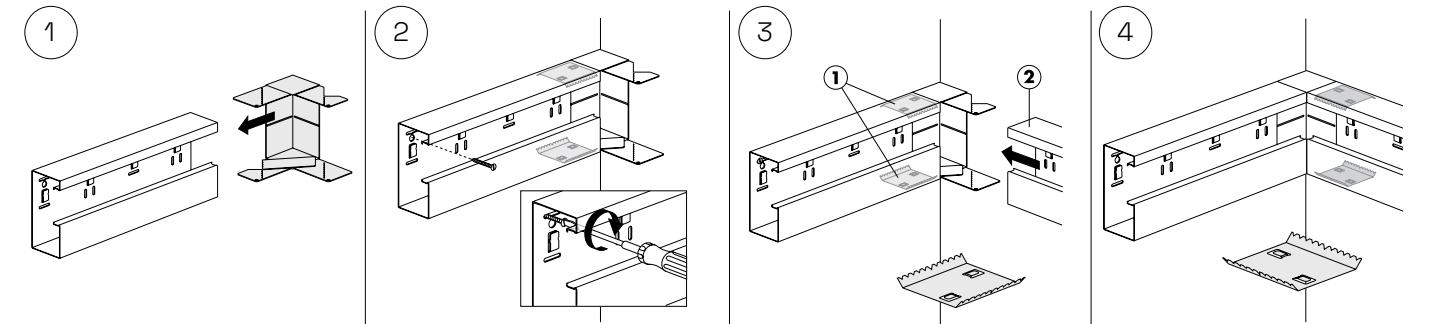
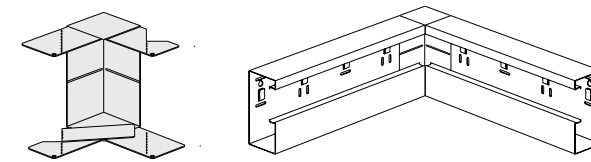
# Installation

## Universal corners

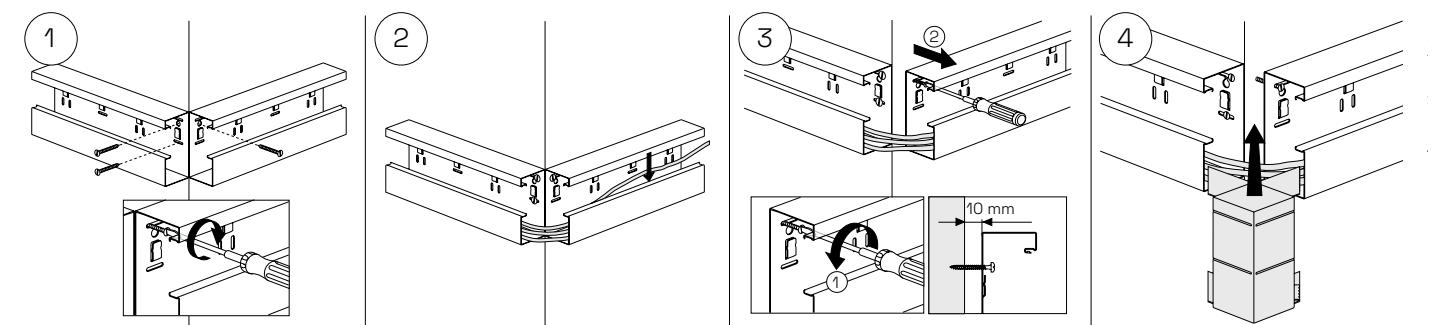
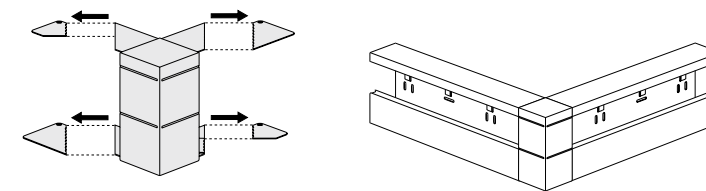
110:	120:	130:	170:
STA550001	STA550174	STA550031	INS5553109
INS5550103	INS5551105	INS5552123	STA550118
STA550068	STA550020	STA550098	INS5553102
STA550010	INS5551101		STA550138
INS5550123	INS5551104		STA550051
STA550077	STA550087		INS5553123
			STA550141



### Installation of internal corner



### Installation of external corner



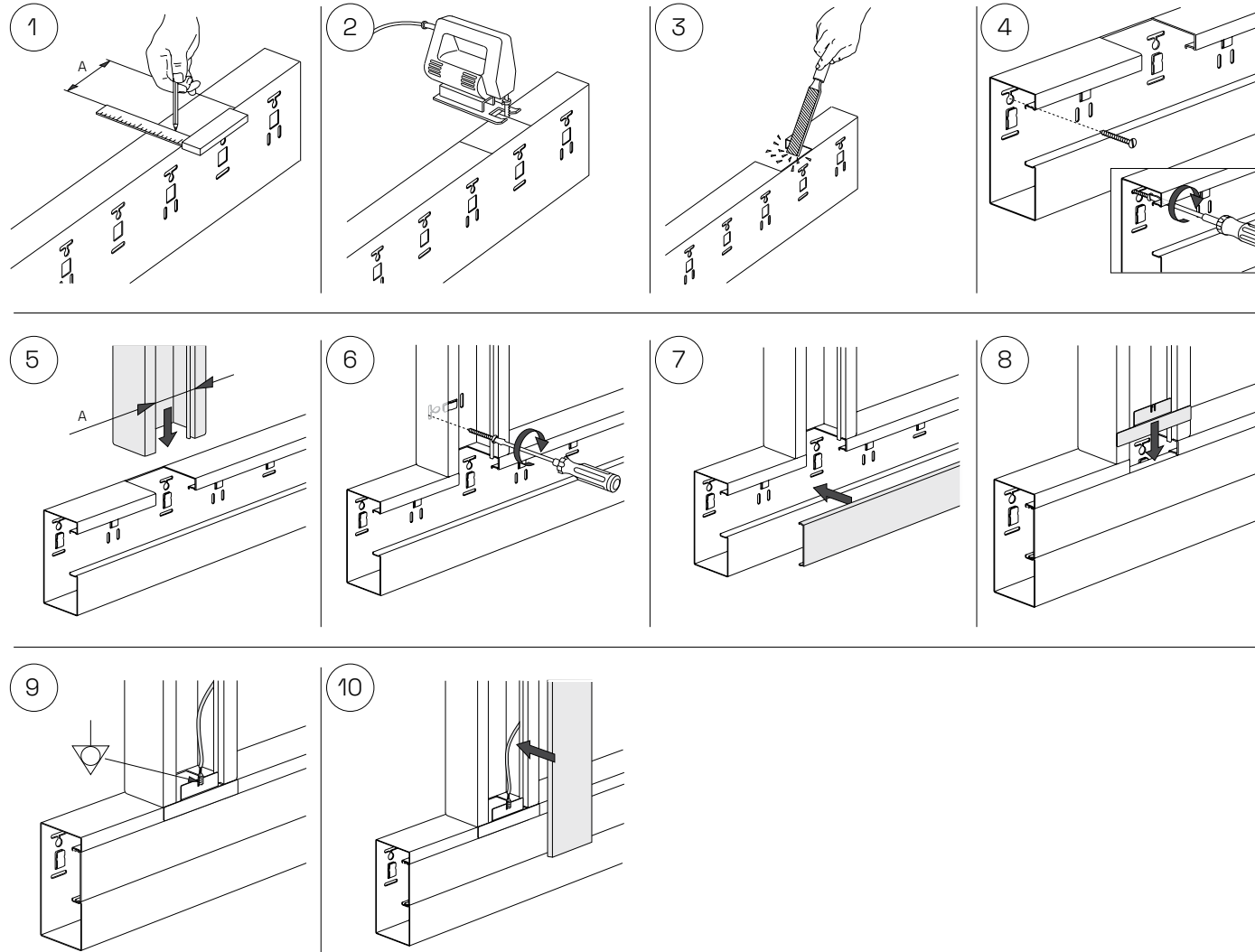
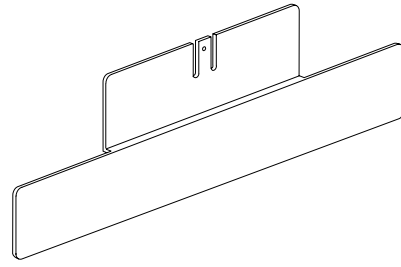


# Installation

## Universal T-piece

120: STA550172  
STA550019  
INS38050074  
STA550086

170: STA550062  
INS38051774  
STA550151

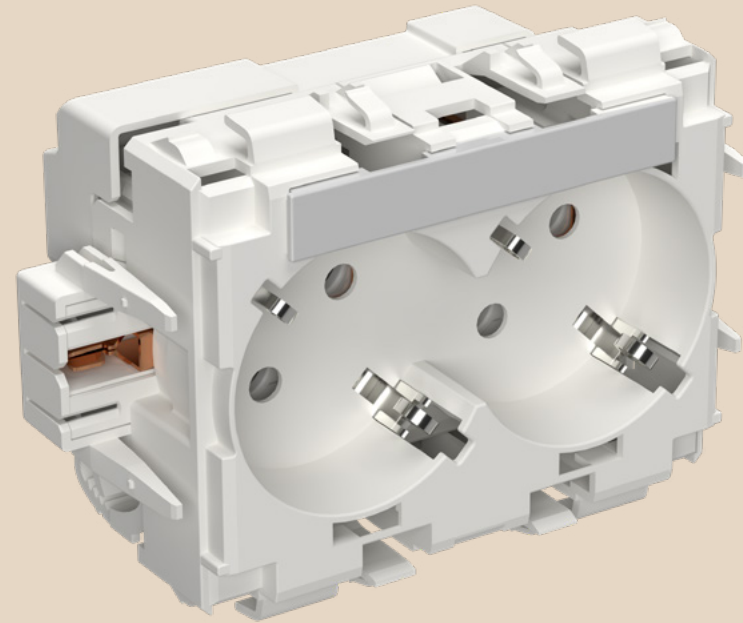


# Dedicated wiring device – smart design, built for ease of use

Our wiring devices are the ideal solution for all your wiring needs, providing a reliable and efficient solution. Our devices have the S-mark from Intertek, which denotes that they meet the safety standards in Europe. They are suitable for use in any commercial building, warehouse, office, school, government building, or hospital. Each part has been designed for a perfect fit, easy to install and to reconfigure.

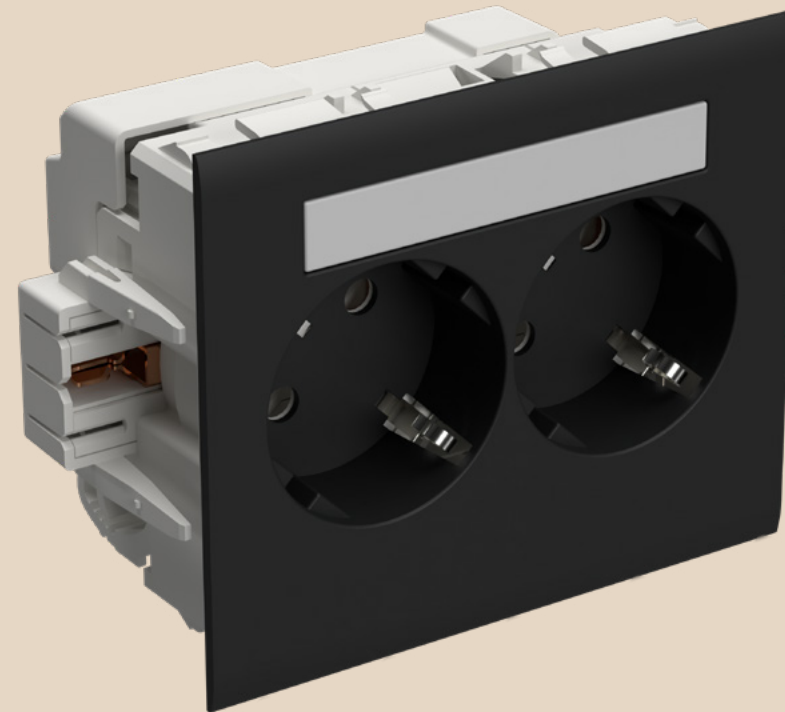
## Safety in mind →

Our wiring devices are designed with safety in mind. The socket outlets are designed to make it impossible to reach the live wires with your fingers, making installation safer. Even if you remove the front cover from the socket outlet, the system remains IP20 safe. Our wiring devices provide double-insulated installation, meaning that no protective earth is required, ensuring reliable and safe performance.



## ← Ease of Use

In addition to safety, our wiring devices are designed for flexibility and functionality. They can easily be mounted and dismantled without having to demount the whole system. Having an optimized number of well-designed and smarter parts means simplifying the procurement, planning and installation process for any building project.



EASY TO MOUNT  
AND DISMANTLE  
WITH A “CLICK”



# Dedicated wiring device

## Master socket outlet – direct connect

2 way master socket outlet with direct connect. Intended for installation in installation trunkings with 80 mm front opening. 250V/16A rating. The front cover is installed after the socket is installed in the trunking. This way, the front plate can be replaced if worn or damaged. The front plate locks the socket in the trunking. The terminal block is located on the backside of the socket, and slaves can be installed in two directions. Dimension: 100/84/52 mm. Material: PC, halogen free.



Colour	White RAL9003	White RAL9010	Black RAL9017
Ref.nr.	STA501000	STA501060	STA501002
EAN Code	7321679003028	7321679003257	7321679003035

## Master socket outlet – direct connect without cover

2 way master socket outlet with direct connect and without cover. Socket outlet intended for installation in installation trunkings with 80 mm front opening. 250V/16A rating. The front cover is installed after the socket is installed in the trunking. This way, the front plate can be replaced if worn or damaged. The front plate locks the socket in the trunking. The terminal block is located on the backside of the socket, and slaves can be installed in two directions. Dimension: 100/84/50 mm. Material: PC, halogen free.



Colour	White RAL9003
Ref.nr.	STA501004
EAN Code	7321679003042

## Front cover master socket

Front cover 2-w master. The front cover installes after the socket is installed in the trunking. Sold as spare part or together with STA501004. For use in trunking with 80 mm front opening. Dimension: 100/84/19 mm. Material: PC, halogen free.



Colour	White RAL9003	White RAL9010	Black RAL9017
Ref.nr.	STA501015	STA501016	STA501017
EAN Code	7321679003097	7321679003769	7321679003103

## Master socket outlet screw connect

Socket outlet 2-way master with screw connect. Socket outlet intended for installation in installation trunkings with 80 mm front opening. 250V/16A rating. The front plate is installed after the socket is installed in the trunking. This way, the front cover can be replaced if worn or damaged. The front plate locks the socket in the trunking. The terminal block is located on the backside of the socket, and slaves can be installed in two directions. Dimension: 100/84/52 mm. Material: PC, halogen free.



Colour	White RAL9003	White RAL9010	Black RAL9017
Ref.nr.	STA501005	STA501062	STA501007
EAN Code	7321679003059	7321679003806	7321679003066

## Slave socket outlet

2 way slave socket outlet. Halogen free. Socket outlet intended for installation in installation trunkings with 80 mm front opening. 250V/16A rating. The front plate is installed after the socket is installed in the trunking. This way, the front cover can be replaced if worn or damaged. The front plate locks the socket in the trunking. The slave socket can be installed in two directions. Dimension: 100/84/42 mm. Material: PC, halogen free.



Colour	White RAL9003	White RAL9010	Black RAL9017
Ref.nr.	STA501010	STA501063	STA501012
EAN Code	7321679003073	7321679003769	7321679003080

## Front cover

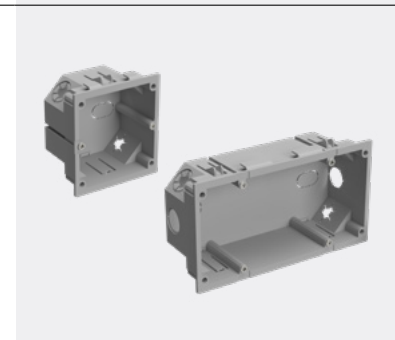
Front cover 2-way slave. Halogen free. The front cover installes after the socket is installed in the trunking. Sold as spare part. For use in trunking with 80 mm front opening. Dimension: 100/84/19 mm. Material: PC, halogen free.



Colour	White RAL9003	White RAL9010	Black RAL9017
Ref.nr.	STA501024	STA501025	STA501026
EAN Code	7321679003110	7321679003776	7321679003127

## Installation box

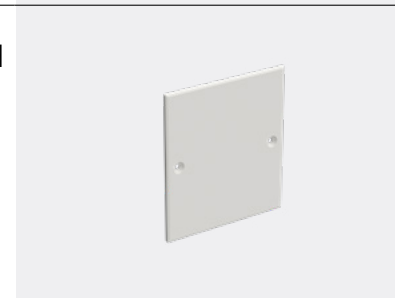
Single our double installation box. Installation box when installing C/C 60 sockets/electronics in the trunking. Strain relieves for both cable and 16 mm flexible conduit. Approved for 250V/16A. Light grey. Material: PC, halogen free.



	Single	Double
Ref.nr.	STA501028	STA501029
EAN Code	7321679003134	7321679003141
Dimension	75/84/45 mm	146/84/45 mm

## Single installation box lid

Lid for single installation box. Allows to use the installation box as a connection box. The lid is installed with the same screws included in the installation box. Dimension: 75/84/2 mm. Material: PC, halogen free.



Colour	White RAL9003	White RAL9010	Black RAL9017
Ref.nr.	STA501030	STA501032	STA501034
EAN Code	7321679003158	7321679003783	7321679003172

### Double installation box lid

Lid for double installation box. Allows to use the installation box as a connection box. The lid is installed with the same screws included in the installation box.  
Dimension: 146/84/2 mm.  
Material: PC, halogen free.



Colour	White RAL9003	White RAL9010	Black RAL9017
Ref.nr.	STA501031	STA501033	STA501035
EAN Code	7321679003165	7321679003790	7321679003189

### Data outlet RJ45

Double data outlet RJ45 without RJ45 connector, keystone. RJ 45 data outlet with angled lid. Perfect when installing data jacks in trunking products. Can be positioned horizontally or vertically.  
Dimension: 84/84/50 mm.  
Material: PC, halogen free.



Colour	White RAL9003	White RAL9010	Black RAL9017
Ref.nr.	STA501045	STA501066	STA501046
EAN Code	7321679003196	7321679003820	7321679003202

### Data outlet RJ45 kit

Double data outlet RJ45, Cat 6, Keystone. RJ45 data outlet with angled lid. Perfect when installing data jacks in trunking products. Can be positioned horizontally or vertically.  
Dimension: 84/84/50 mm.  
Material: PC, halogen free.



Colour	White RAL9003	White RAL9010	Black RAL9017
Ref.nr.	STA501050	STA501067	STA501051
EAN Code	7321679003219	7321679003837	7321679003226

### Data outlet RJ45 Actassi

RJ45 angled double outlet without RJ45 connector, for Actassi. RJ 45 data outlet with angled lid. Perfect when installing data jacks in trunking products. Can be positioned horizontally or vertically.  
Dimension: 84/84/50 mm.  
Material: PC, halogen free.

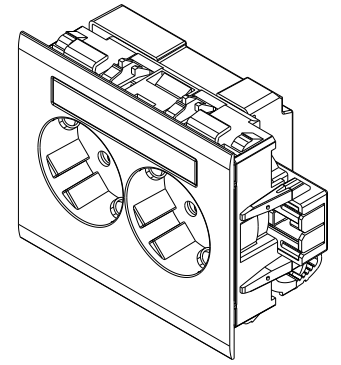


Colour	White RAL9003	White RAL9010	Black RAL9017
Ref.nr.	STA501055	STA501068	STA501056
EAN Code	7321679003233	7321679003844	7321679003240



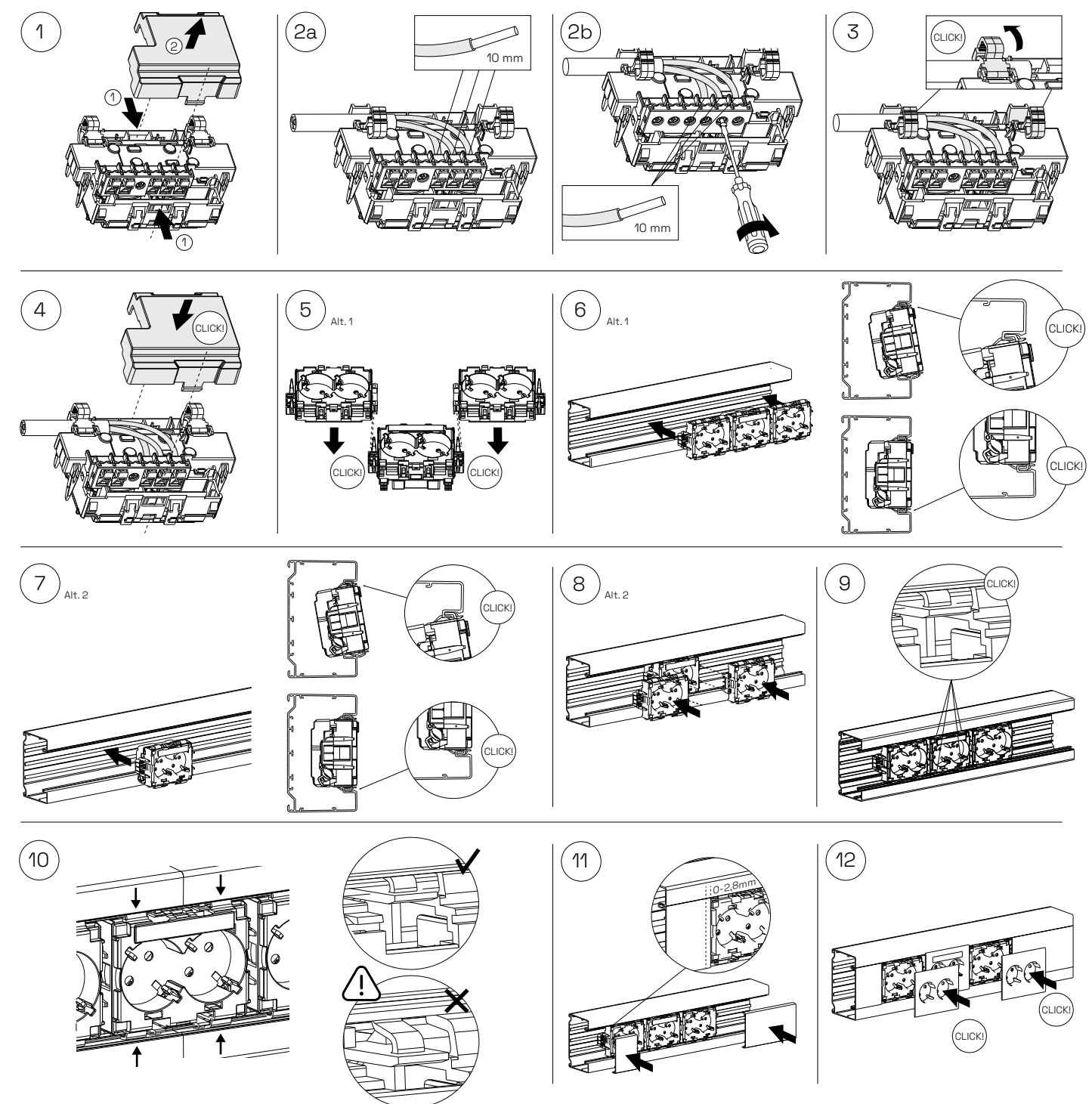
# Installation

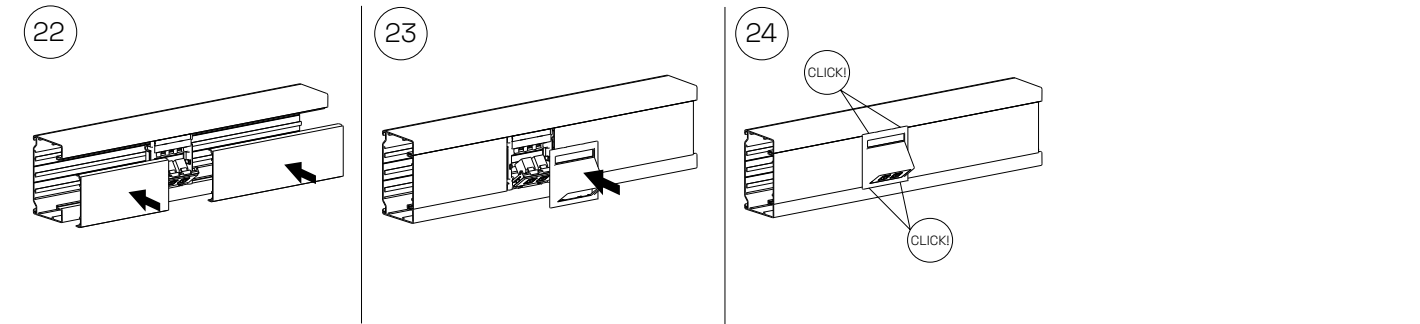
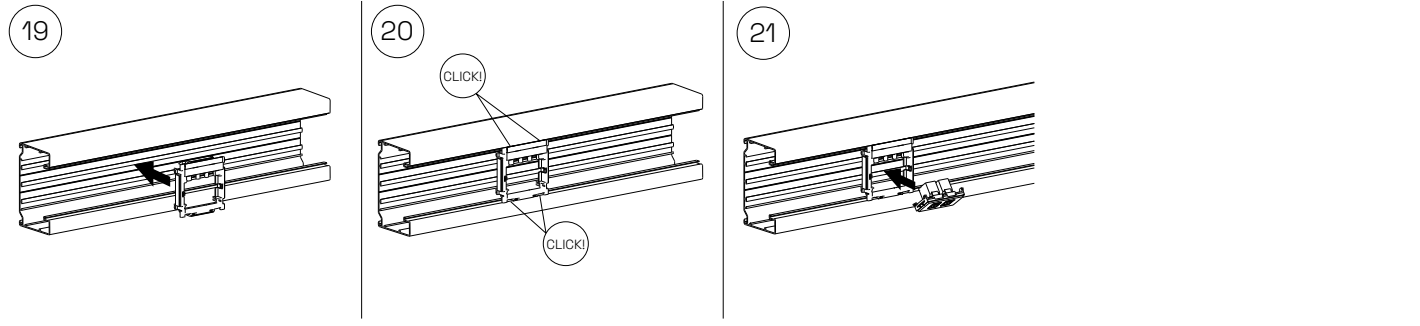
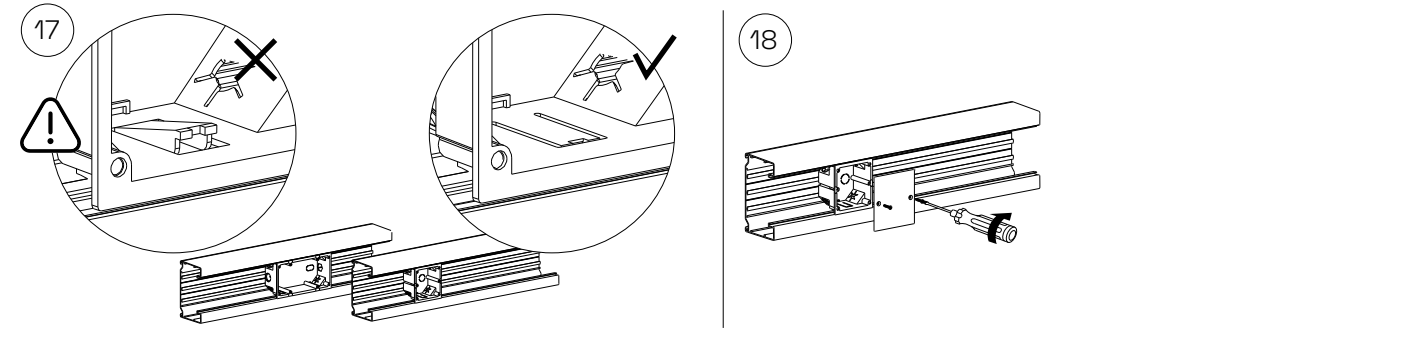
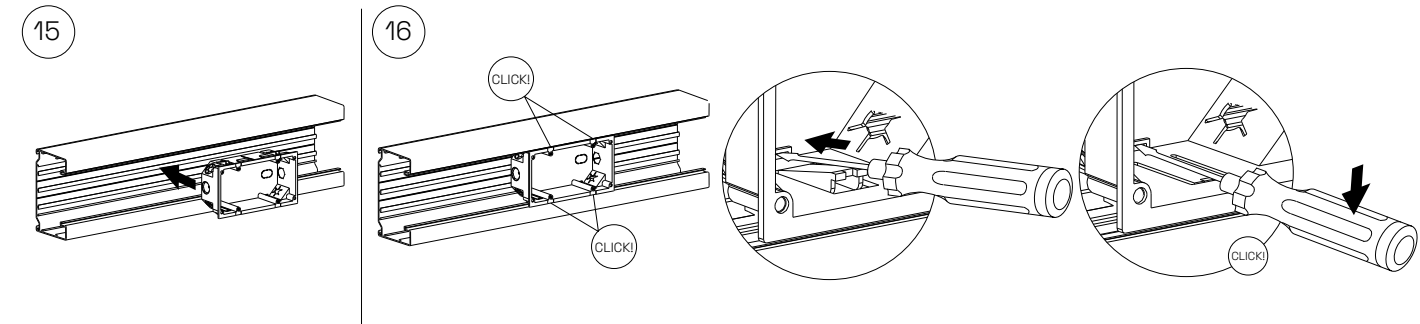
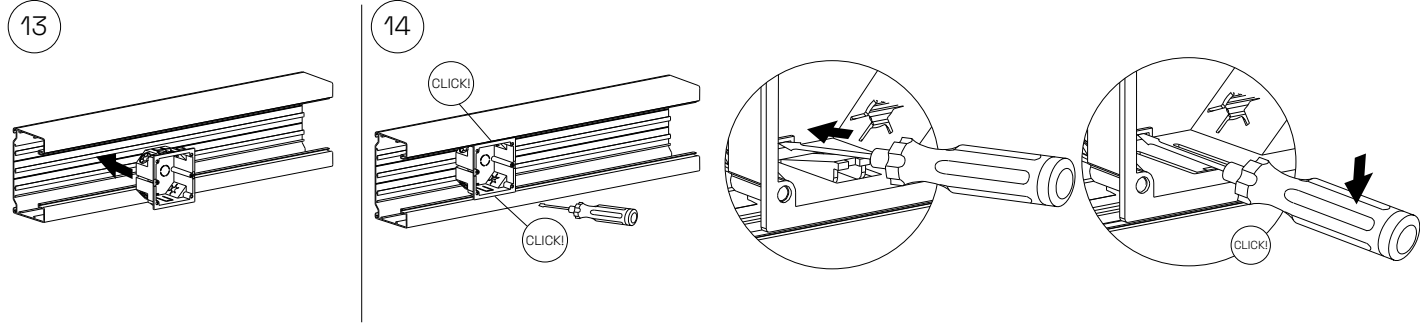
## Dedicated wiring device



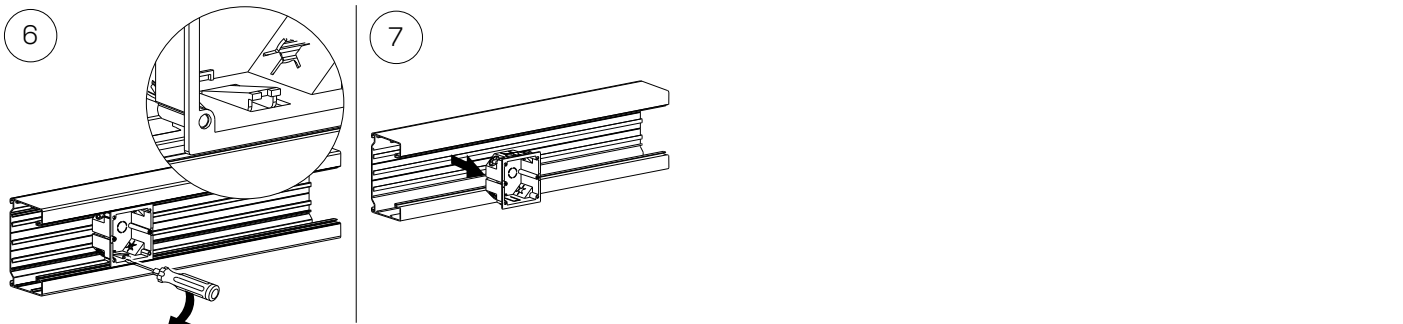
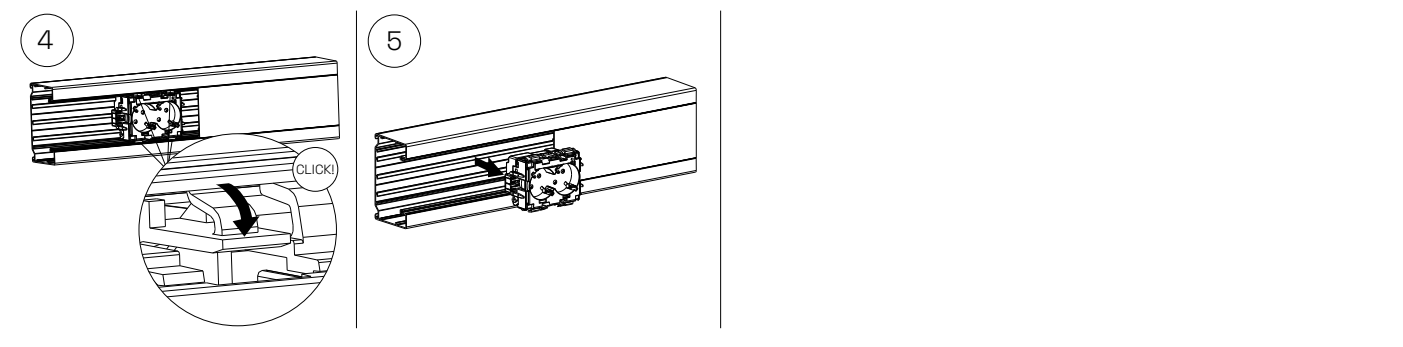
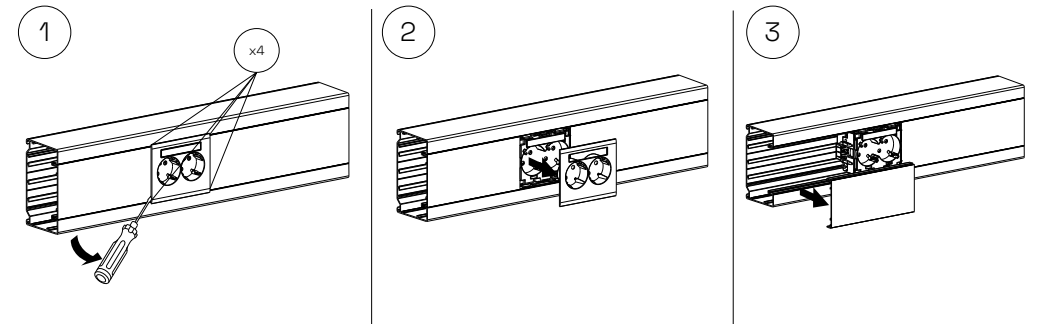
### Technical data

Rated Current \ Voltage	16 A / 250 V.
Frequency	50Hz
Standards	IEC 60884-1: 2002+A1+A2 SS 428 08 34: 2013+T1 SFS 5610: 2015+A11 NEK 502: 2016 + A1
*Fixed socket-outlet for Cable Trunking Systems"	EN IEC 60670-1: 2021+A1, LVD (2014/35/EU)
Installation box	EN IEC 60670-1: 2021+A1, LVD (2014/35/EU)
RJ 45 Connector	TIA/EIA-568-C.2-1 Category 6 and ISO 11801 Class E
Approvals/Certification	*The products comply with the RoHS directive 2011/65 EU, REACH Directive 2006/1907 EU (Restriction of Hazardous Substances), WEEE Directive 2012/19/EU"
*Fixed socket-outlet for Cable Trunking Systems"	Intertek Semko AB, Reference No. SE-S-2300298/299, S-Mark
Installation box	Intertek Semko AB, Reference No. SE-S-2300300, S-Mark
RJ 45 Connector, Category 6	EC... Force Technology Test report Nr. 2019-041
Material data	Material: Polycarbonate ( PC, Halogen free) Density: 1.2 g/cm <sup>3</sup> Colour spec: White RAL9003 White RAL9010 Black RAL9017
Operative data	Socket Outlet Temperature range: From -25°C to +40°C Suitable outdoors: No Degree of protection: IP20 Method of connecting the cable: Rewirable Type of terminals: Screwless Screw-type Nominal cross-sectional area: 2,5 mm <sup>2</sup> / For 1,5 mm <sup>2</sup> (To be checked the country regulations) Type of cable: Rigid RJ45 Connector Product description: Unscreened Category 6 RJ45 Characterised up to 250 MHz, 100Ω





Dismounting





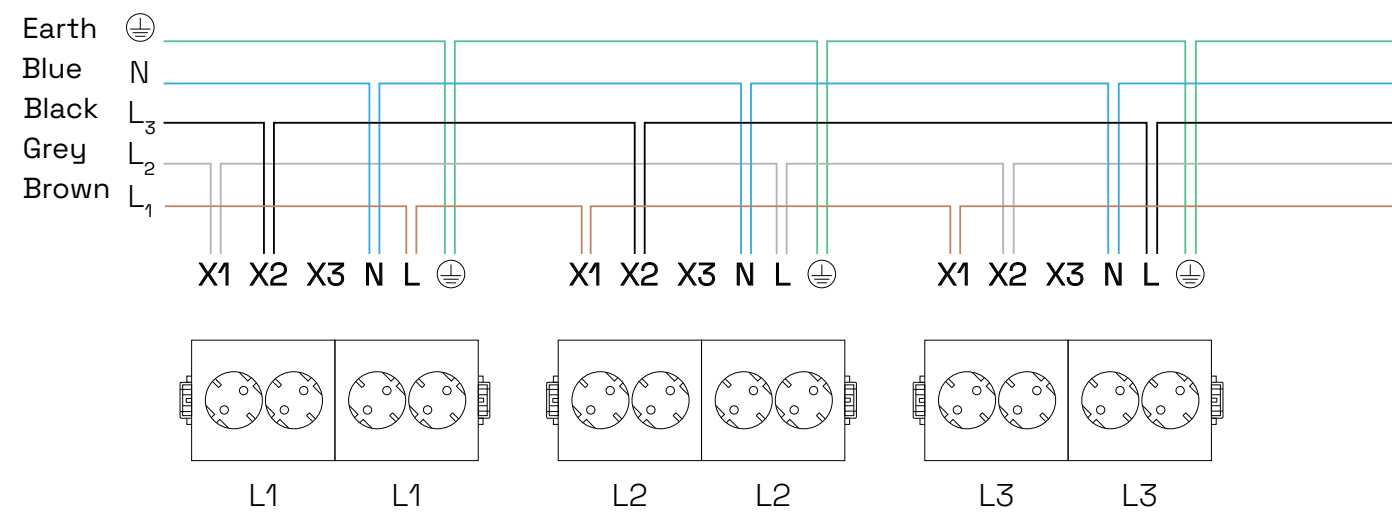
# Wiring diagram

## 3-phase

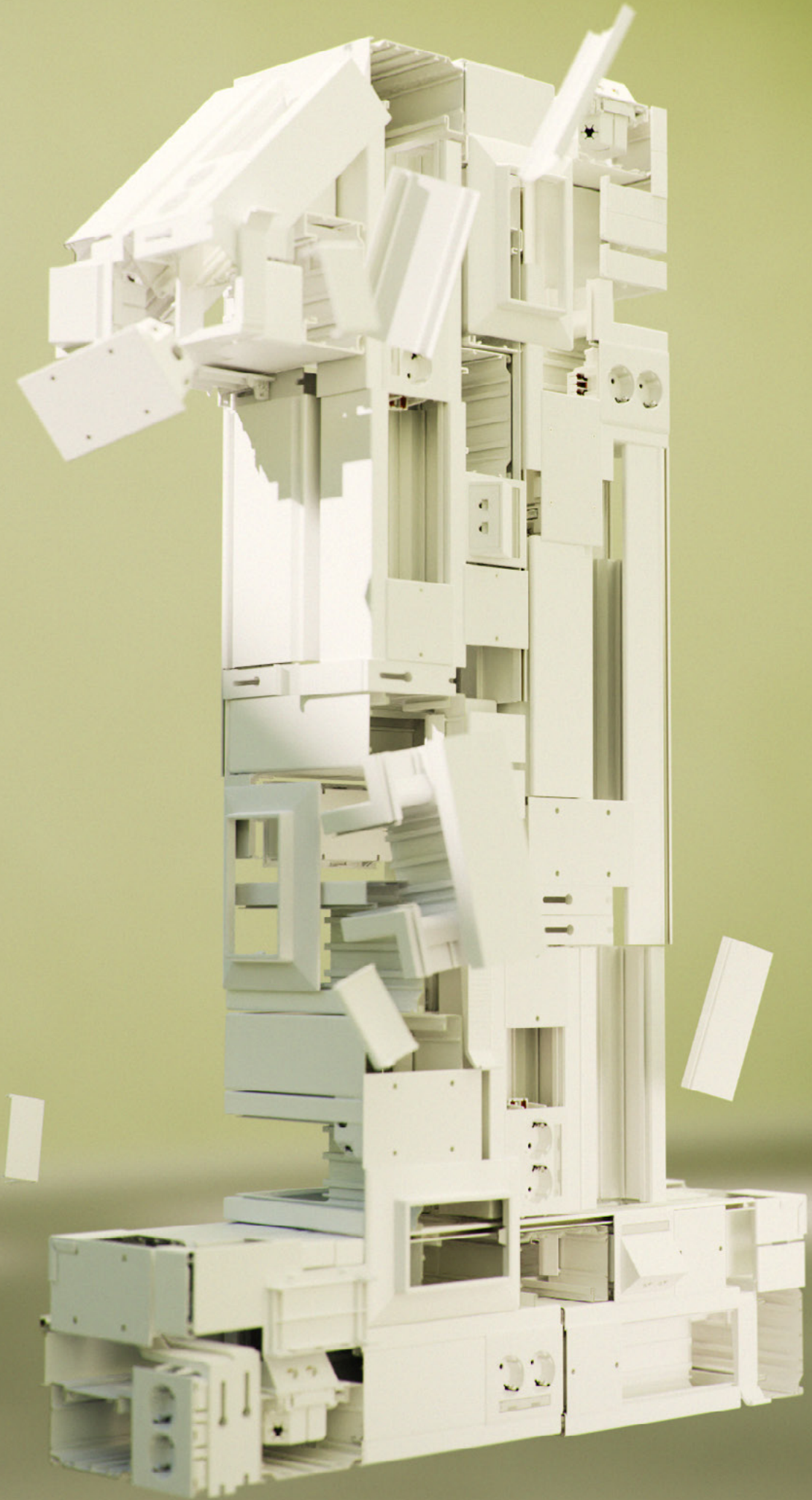
Reduce the number of feeding cables in larger installations by using a "3-phase bus" with an integrated 5 x 2.5 mm<sup>2</sup> dual push-in terminal.

## 1-phase

For small installations, use a 1-phase cable and push in or screw connection.







What a  
Oneederful  
world



